

SBP-004WMW

Wall&Pole Mount (White Ruggedized PTZ)



Key Features

- Color : White
- Product dimensions / weight : 360x210x245mm(14.17x8.27x9.65") / 3800g(8.38lb)
- Mount screw size : TR30
- Max. load : 15kg
- Reversible design for all installation mode-upright, canted, inverted
- Wall & Pole mount
 - ※Heavy duty pole mount SBP-150PMW needed for pole installation
- Compatible model : TNP-A6550RW, TNP-A7430RW, TNP-A9430RW

Compatible Devices



SBP-150PMW

SBP-004WMW

Wall&Pole Mount (White Ruggedized PTZ)



Specifications

Mechanical	
Color	White
Material	Aluminum
RAL code	RAL9003
Product dimensions / weight	360mmx210mmx245mm(WxDxH)(14.17"x8.27"x9.65"), 3800g(8.38lb)
Mount Screw size	TR30
Max. load	15kg(33.07lb)
Supported products	TNP-A6550RW, TNP-A7430RW, TNP-A9430RW

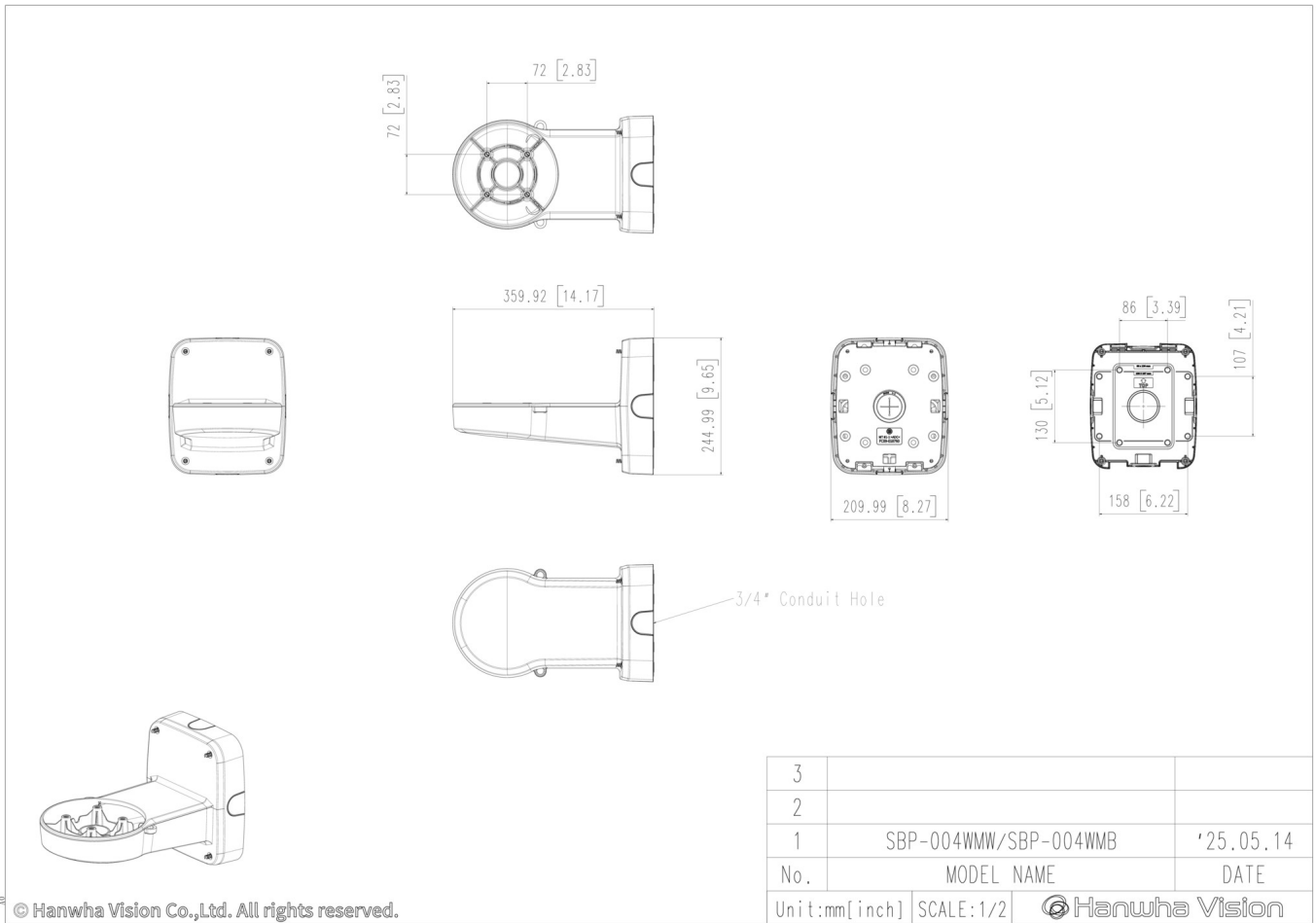
SBP-004WMW

Wall&Pole Mount (White Ruggedized PTZ)



CAD

Unit: mm [inch]



© Hanwha Vision Co.,Ltd. All rights reserved.

3		
2		
1	SBP-004WMW/SBP-004WMB	'25.05.14
No.	MODEL NAME	DATE
Unit:mm[inch] SCALE:1/2		Hanwha Vision