

Wall Mount

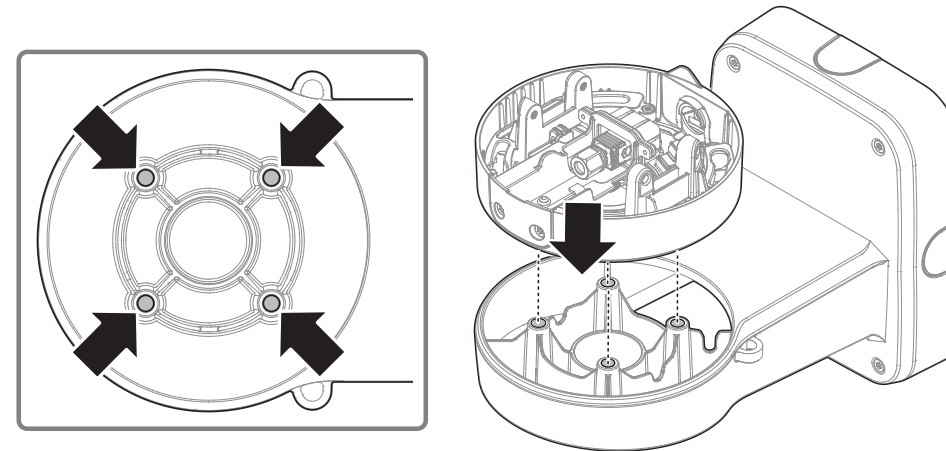
SBP-004WMW
SBP-004WMB



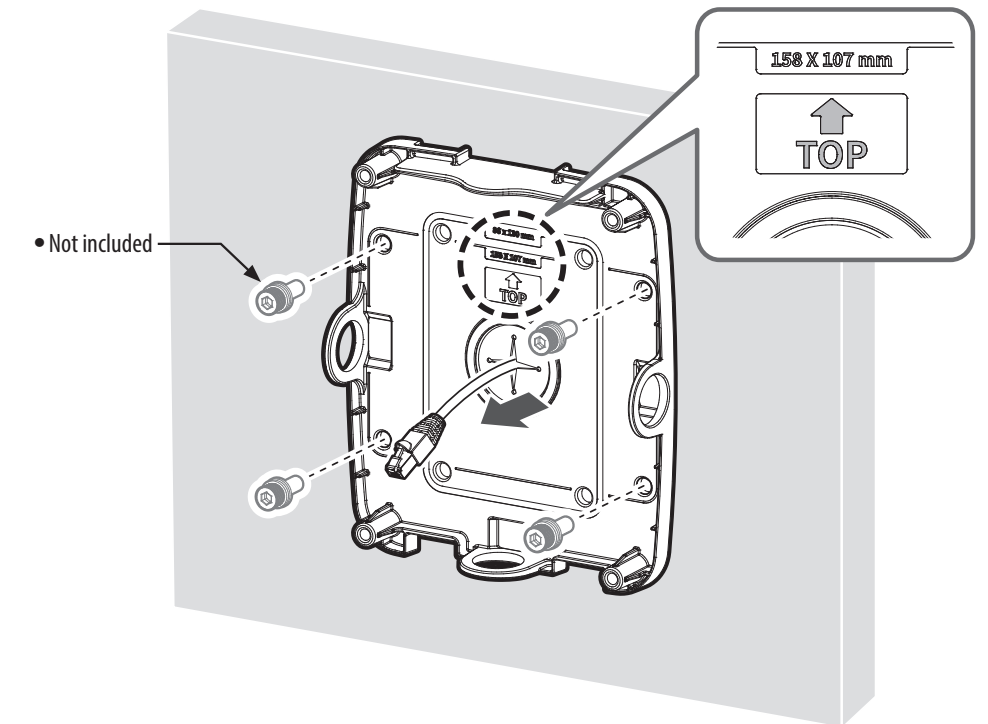
Installation Precautions

- Make sure that the installation place can endure at least 4 times of the total weight of the Wall Mount and Camera.
- Each anchor screw must be capable of withstanding an extraction force of 700 kg.
- Safety wire hooks are provided for attachment to a wall or pillar, and the safety wire must be able to withstand at least 4 times the total weight of the product.

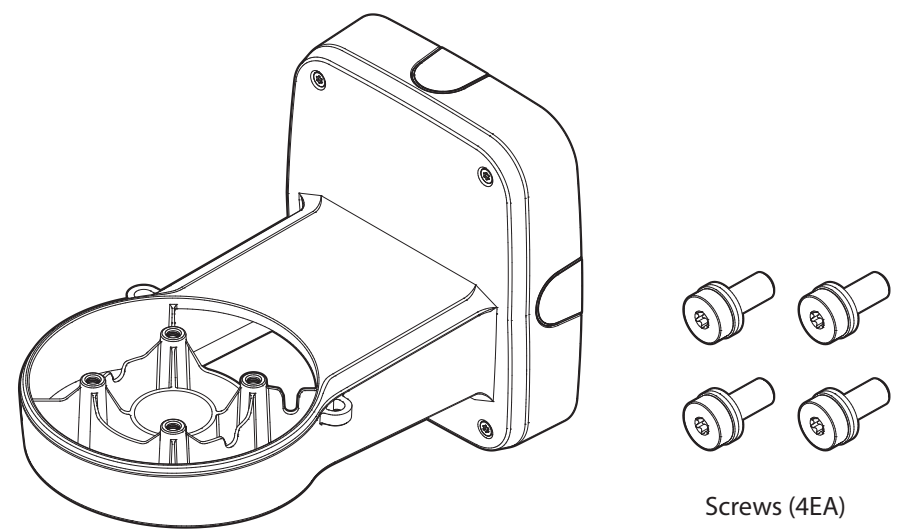
Mounting Hole Guide



2



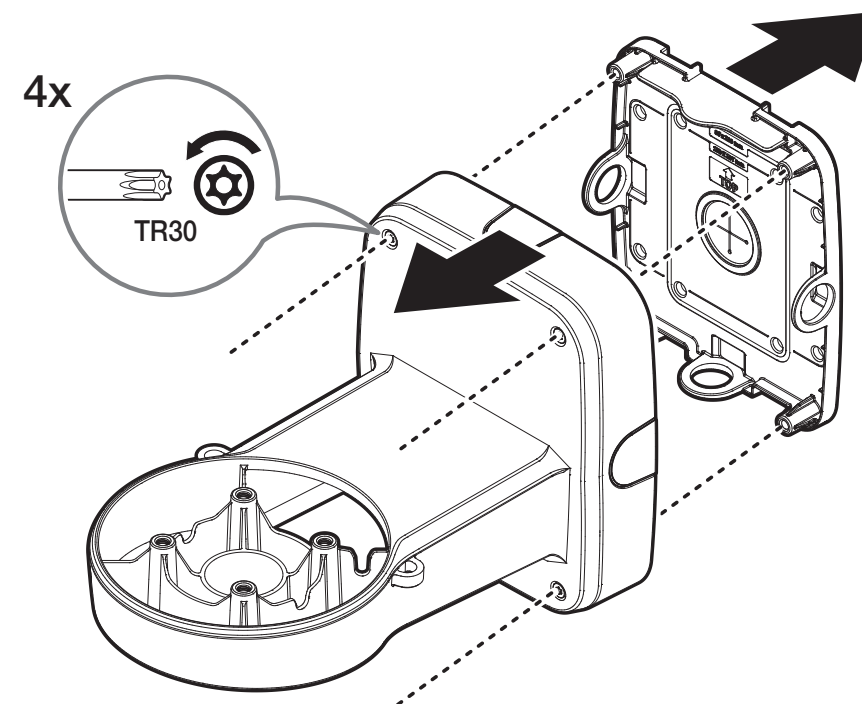
Package



Screws (4EA)

Installation

1

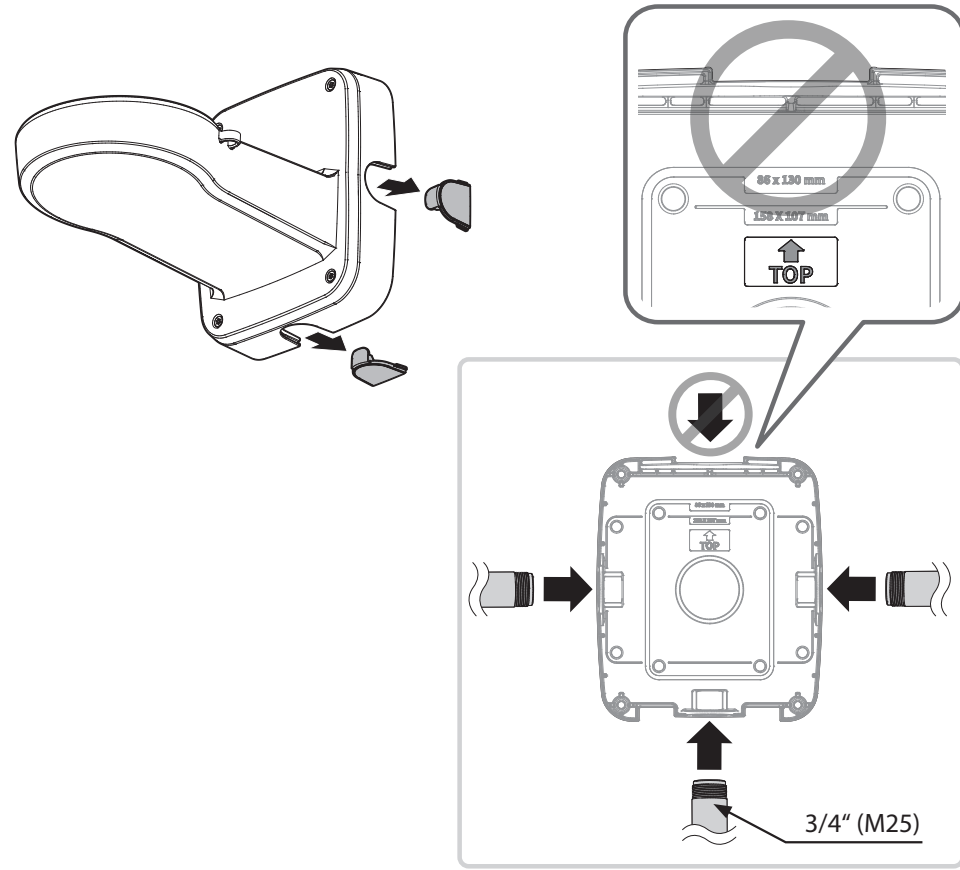


Mounting hole by installation solution

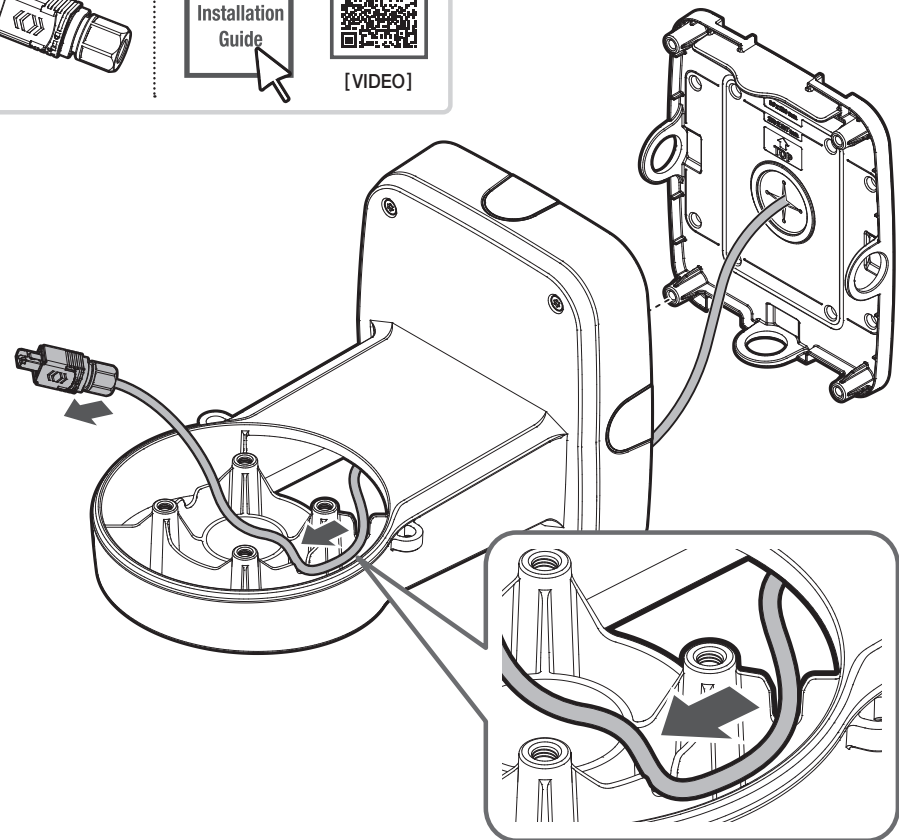
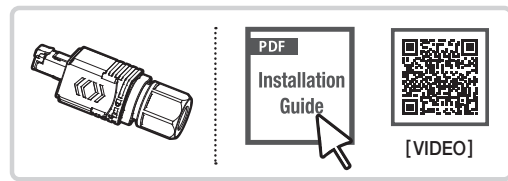
* White model only

Pole Mount(SBP-150PMW) 158 mm x 107 mm	Corner Mount(SBP-156KMW) 86 mm x 130 mm

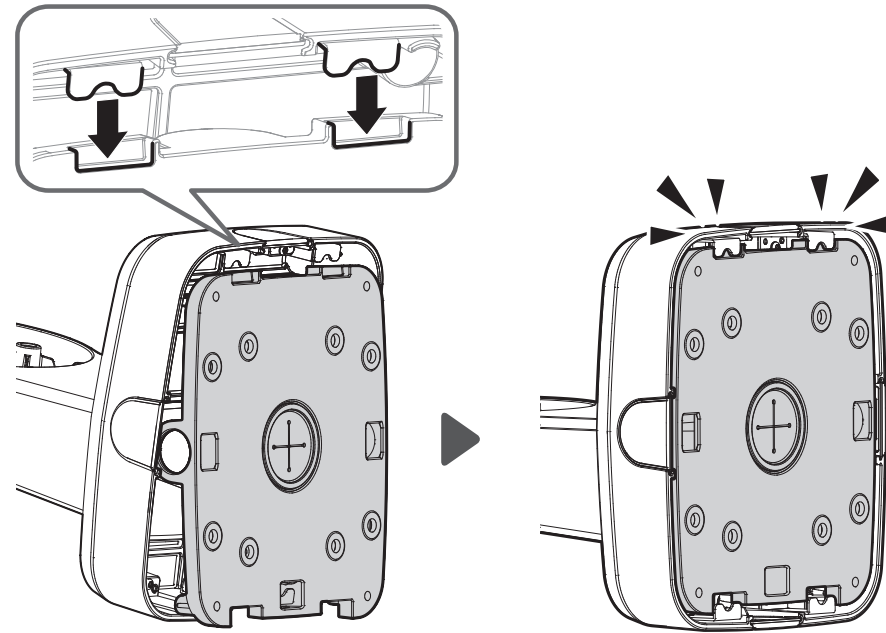
When using conduit (3/4")



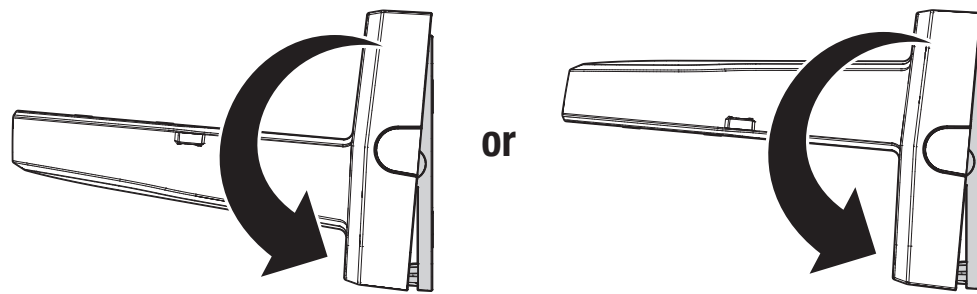
3



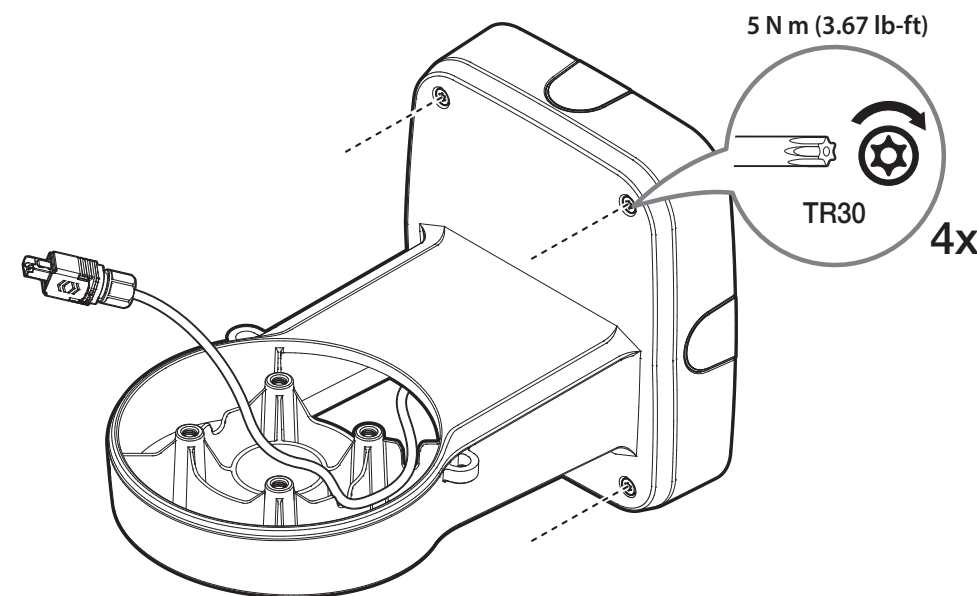
4-1



4-2



5



6

