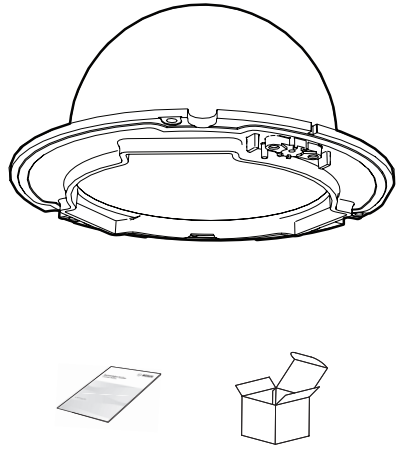
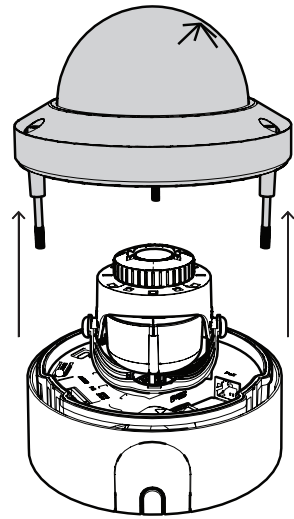


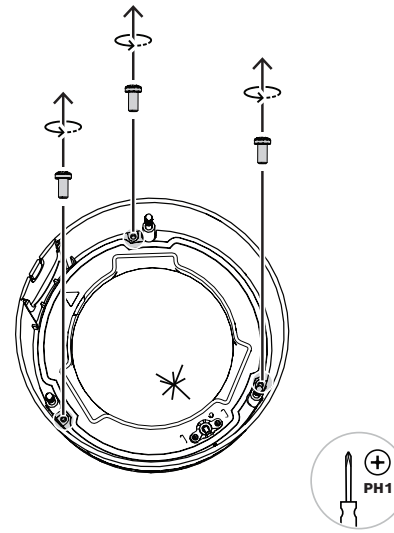
1 |



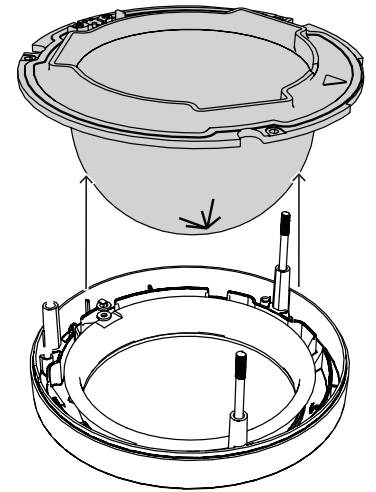
2 |



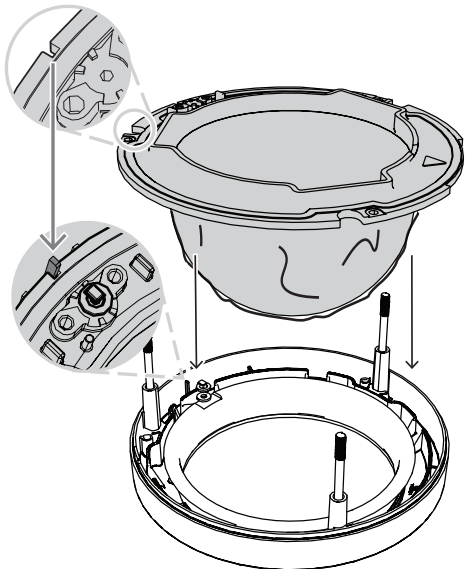
3 |



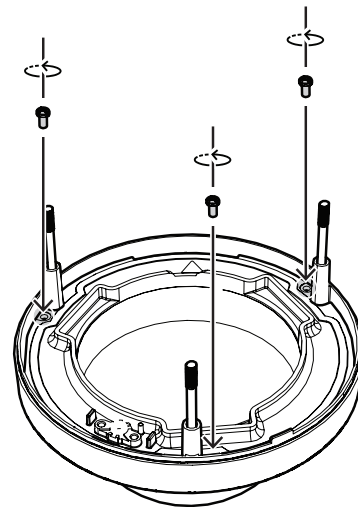
4 |



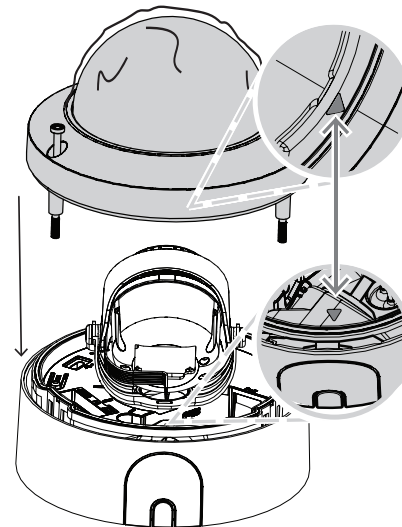
5 |



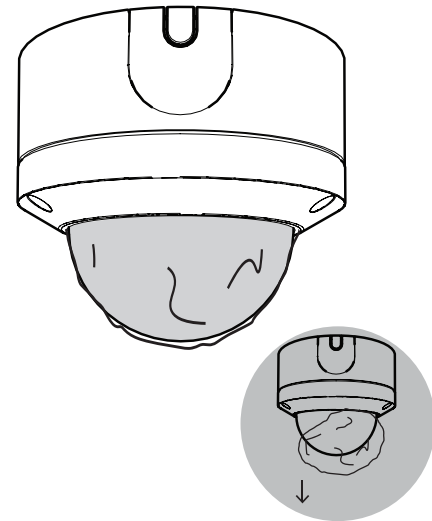
6 |



7 |

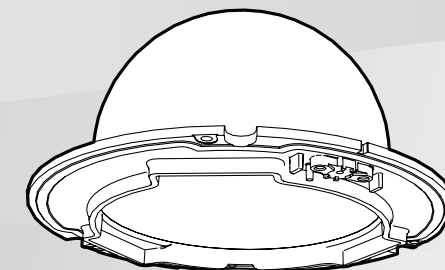


8 |



**Bubble, clear, FD 5100**

NDA-5070-CBL | NDA-5070-TBL



en Quick installation guide

**Bosch Security Systems B.V.**Torenallee 49  
5617 BA Eindhoven  
Netherlands**[www.boschsecurity.com](http://www.boschsecurity.com)**

© Bosch Security Systems B.V., 2021