

WISeNET

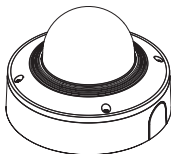
NETWORK CAMERA

Quick Guide

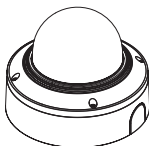
XNV-6081/XNV-6081R/XNV-8081R
XND-6081V/XND-6081RV/XND-8081RV
XND-6081F/XND-6081RF/XND-8081RF

CE

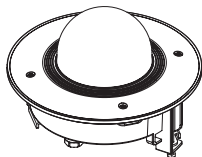
Outdoor Vandal Dome
XNV-6081/XNV-6081R/
XNV-8081R



Indoor Vandal Dome
XND-6081V/XND-6081RV/
XND-8081RV



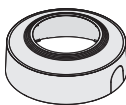
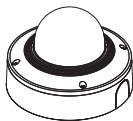
Flush Mount Dome
XND-6081F/XND-6081RF/
XND-8081RF



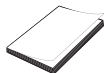
COMPONENT

As for each sales country, accessories are not the same.

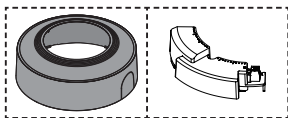
- XNV-6081/XNV-6081R/XNV-8081R



Color : Ivory



Options (not included)



SBC-180B
(Color : Black)

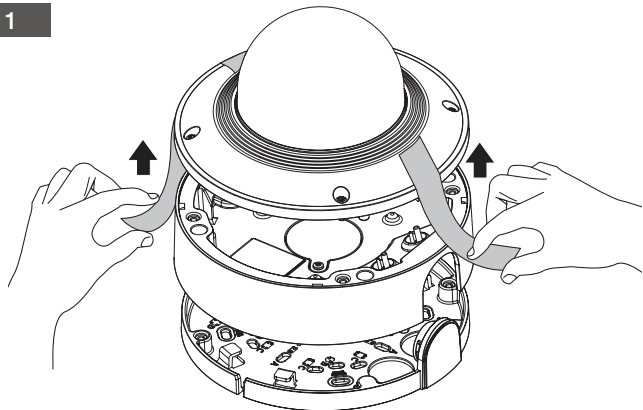
SPC-100AC

INSTALLATION

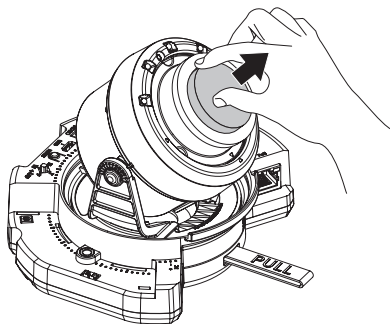


INSTALLATION

1



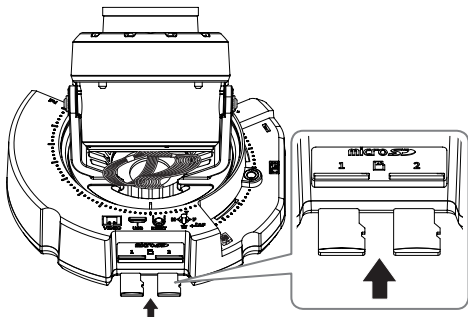
2



INSTALLATION

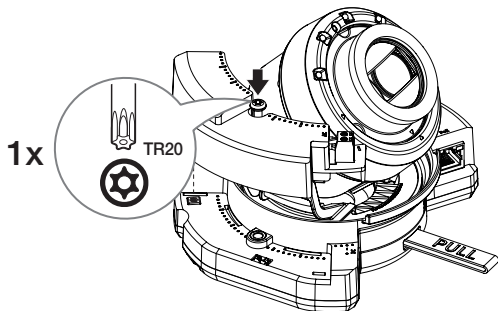
3

- Not Included : Micro SD Card



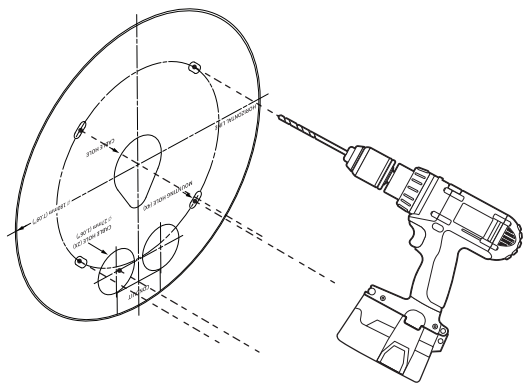
4

- Not Included : SPC-100AC



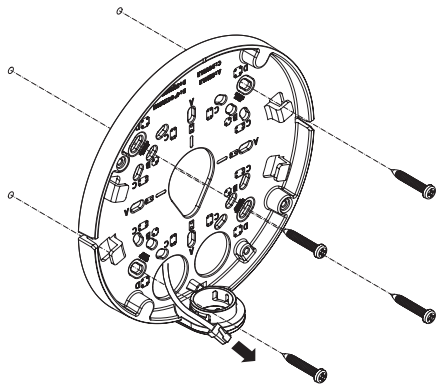
INSTALLATION

5



6

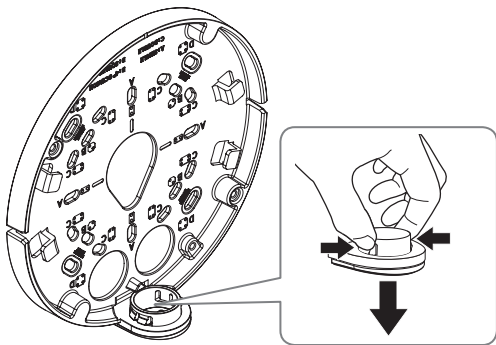
- Directly installing on wall/ceiling



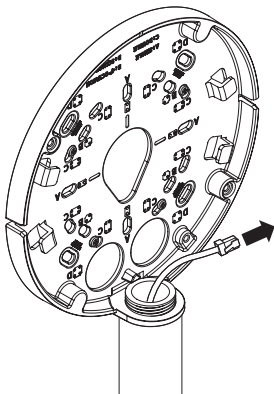
7

INSTALLATION

7-1 • Installing using pipe



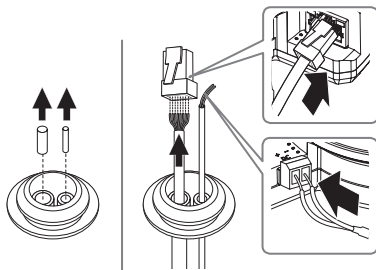
7-2



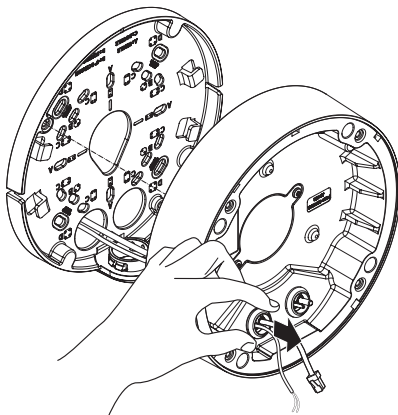
INSTALLATION

8-1

- Installing LAN/power cables

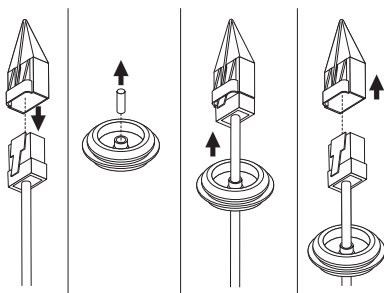


8-2

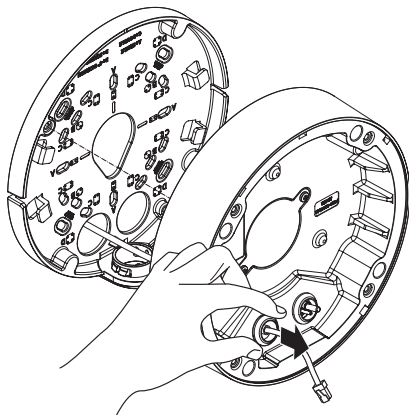


INSTALLATION

9-1

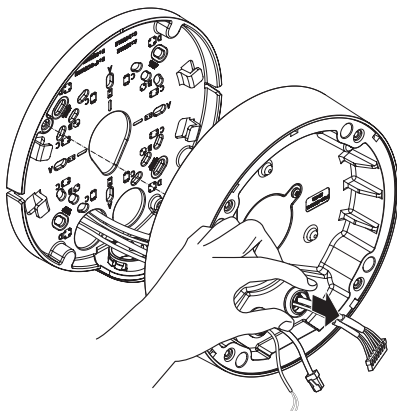


9-2

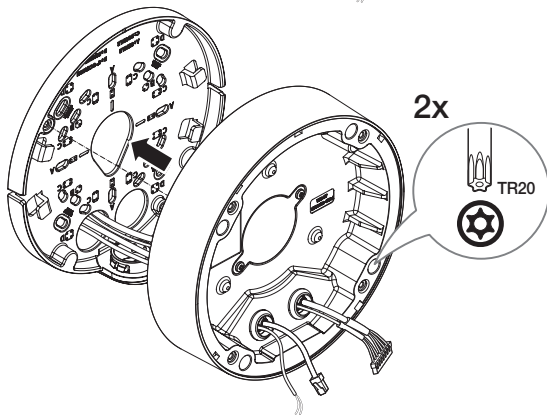


INSTALLATION

10



11

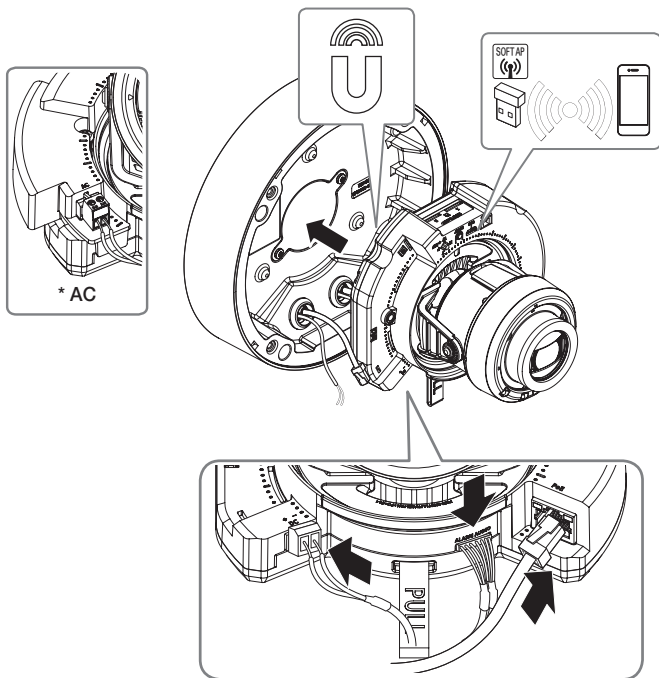


11

INSTALLATION

12

- Not Included : WiFi dongle, OTG adapter

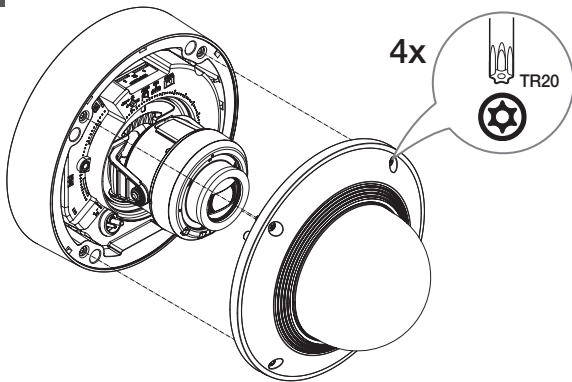


INSTALLATION

13

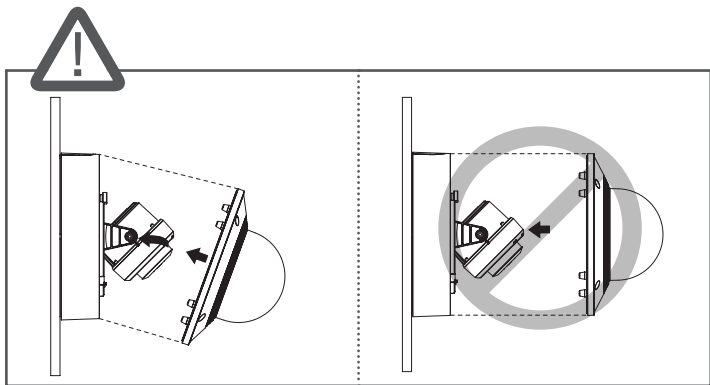


14

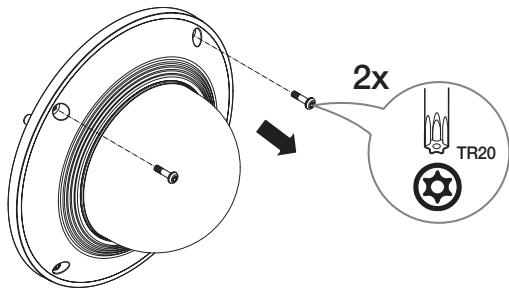


13

INSTALLATION

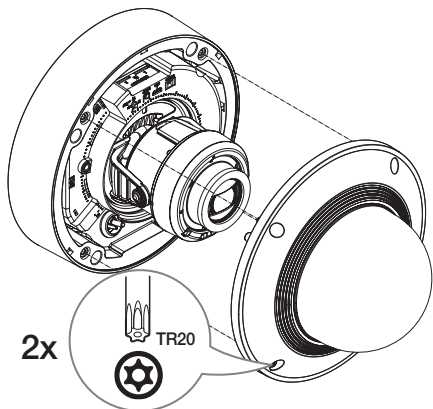


15-1 • Using Weather cap

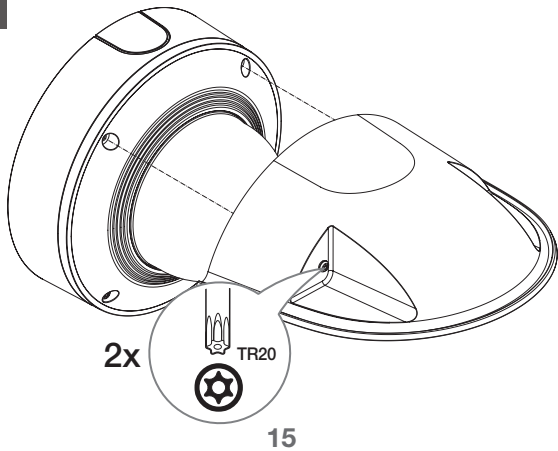


INSTALLATION

15-2

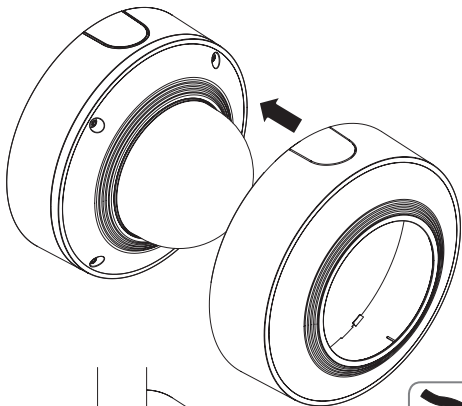


15-3

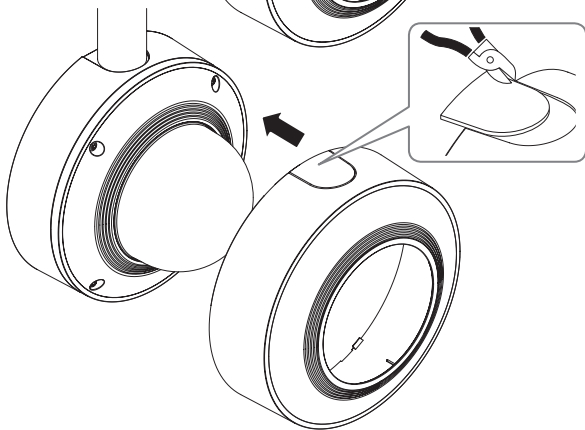


INSTALLATION

16-1 • Using Skin cover



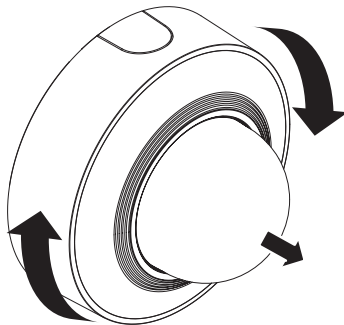
16-2



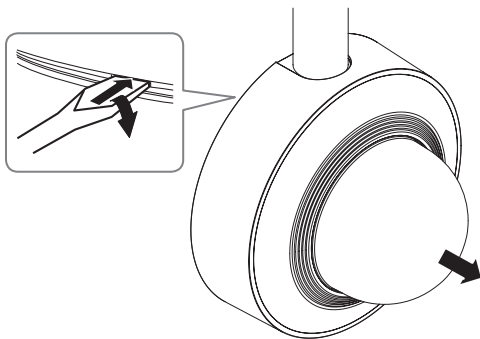
INSTALLATION

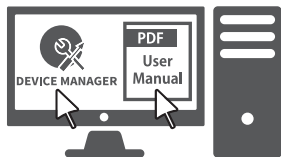
17

- Removing Skin cover



OR

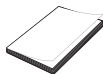
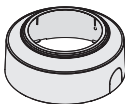
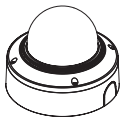




COMPONENT

As for each sales country, accessories are not the same.

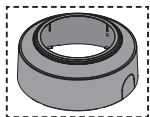
- XND-6081V/XND-6081RV/XND-8081RV



Color : Ivory



Options (not included)



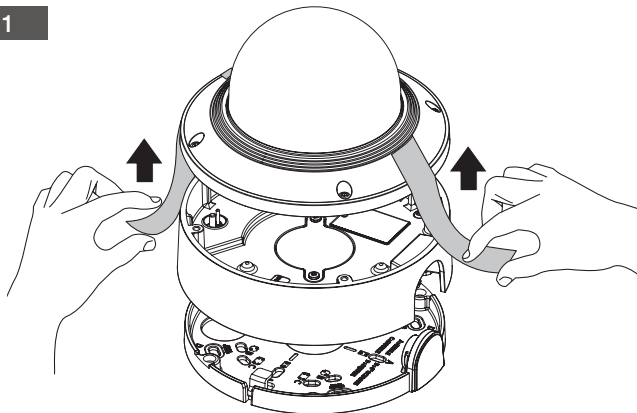
SBC-160B
(Color : Black)

INSTALLATION

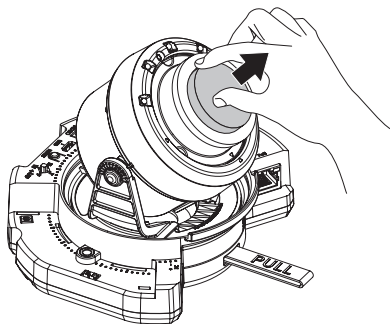


INSTALLATION

1



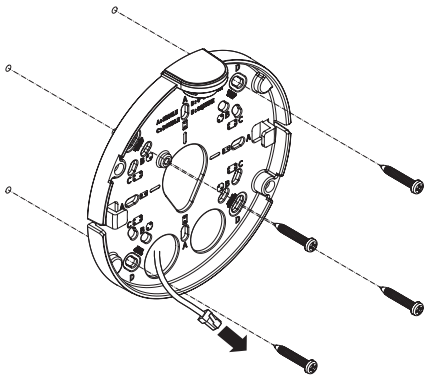
2



INSTALLATION

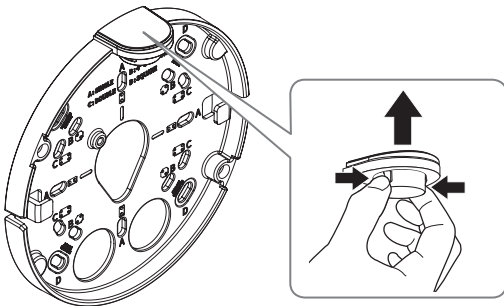
5

- Directly installing on wall/ceiling



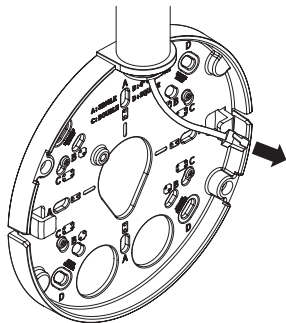
6-1

- Installing using pipe



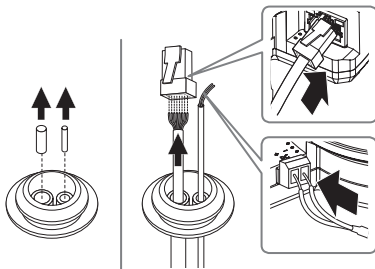
INSTALLATION

6-2



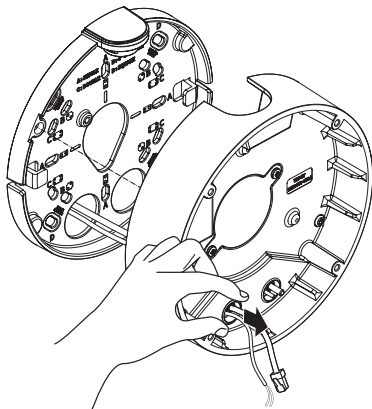
7-1

• Installing LAN/power cables

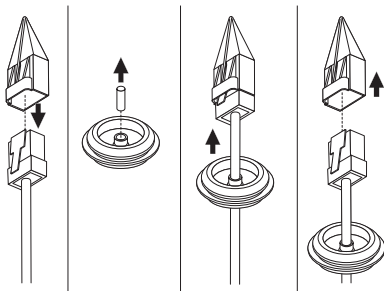


INSTALLATION

7-2

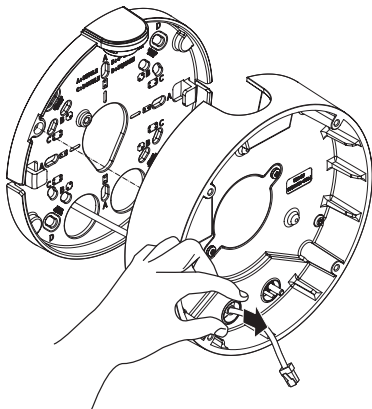


8-1

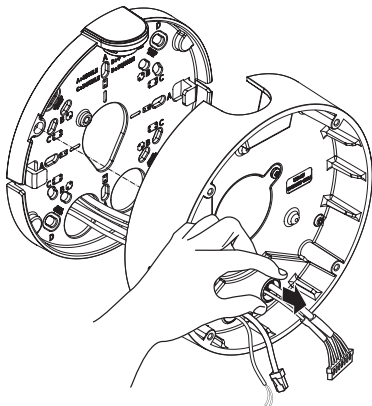


INSTALLATION

8-2

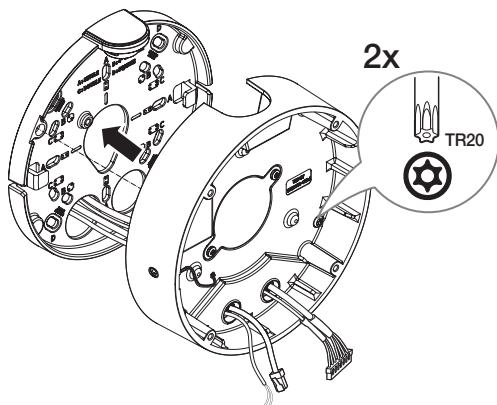


9



INSTALLATION

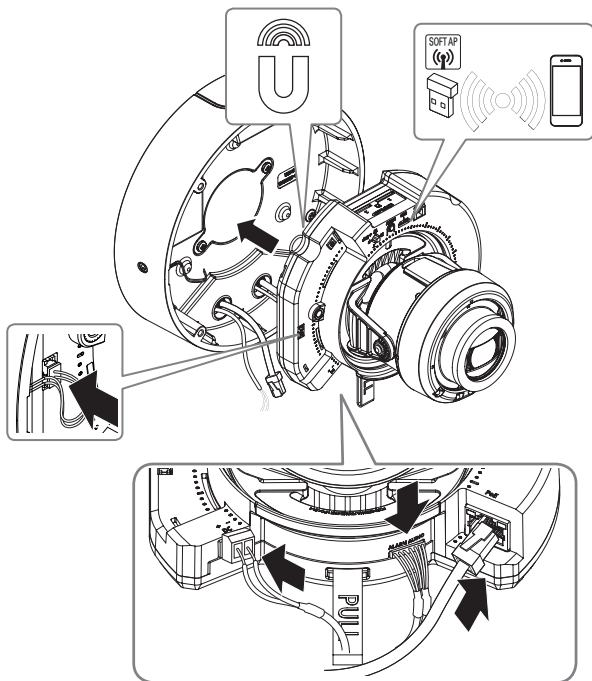
10



INSTALLATION

11

- Not Included : WiFi dongle, OTG adapter

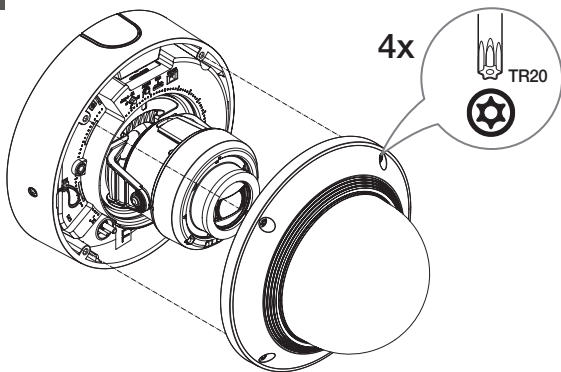


INSTALLATION

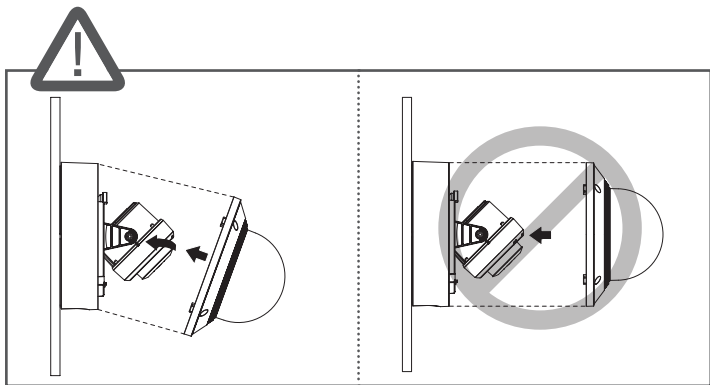
12



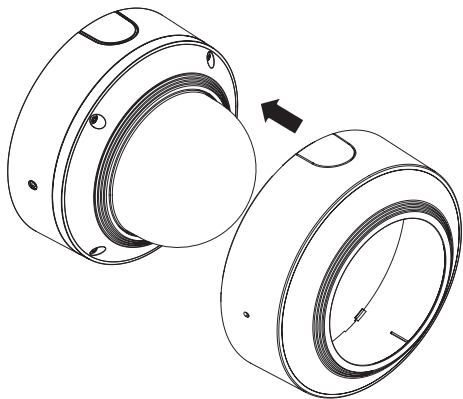
13



INSTALLATION

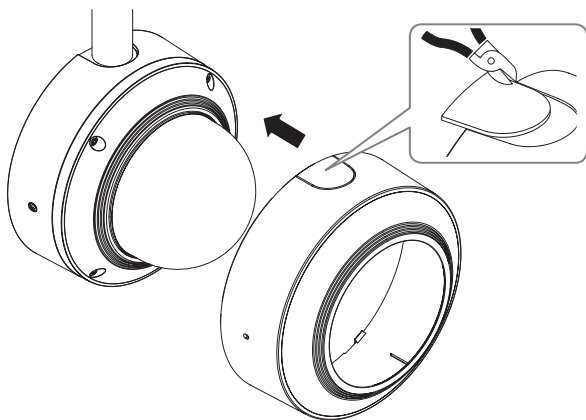


14-1 • Using Skin cover



INSTALLATION

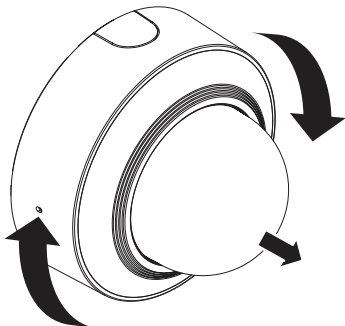
14-2



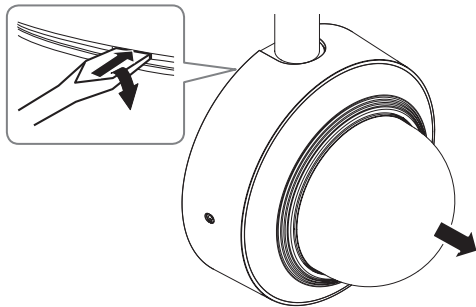
INSTALLATION

15

- Removing Skin cover



OR

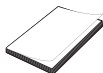
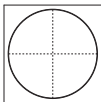
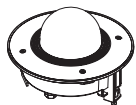




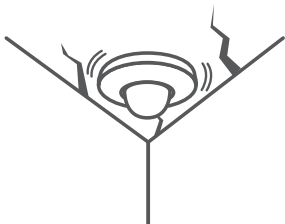
COMPONENT

As for each sales country, accessories are not the same.

- XND-6081F/XND-6081RF/XND-8081RF

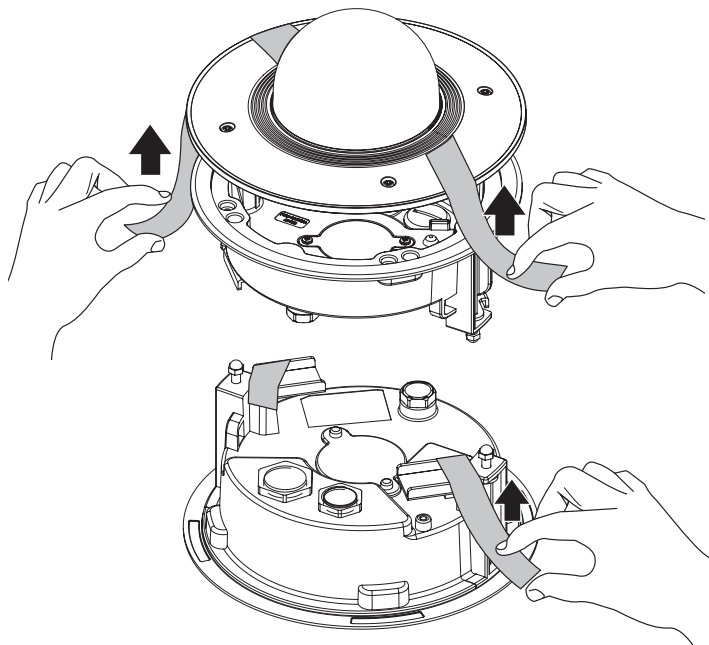


INSTALLATION



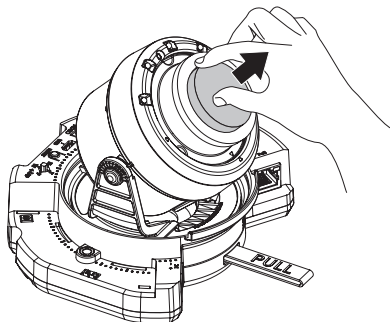
INSTALLATION

1



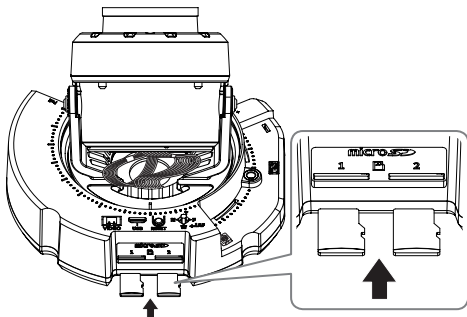
INSTALLATION

2



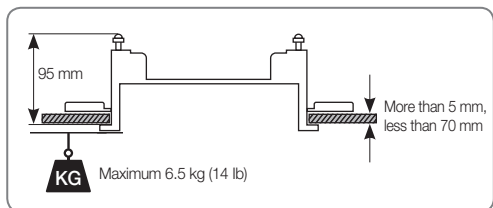
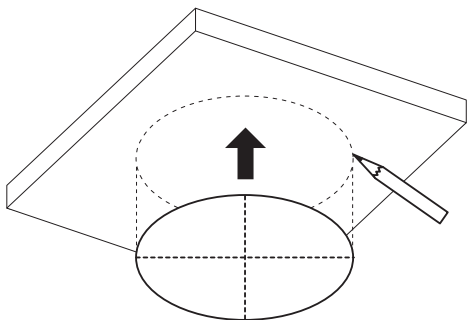
3

- Not Included : Micro SD Card



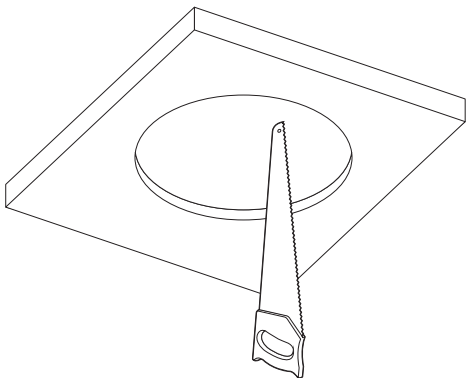
INSTALLATION

4



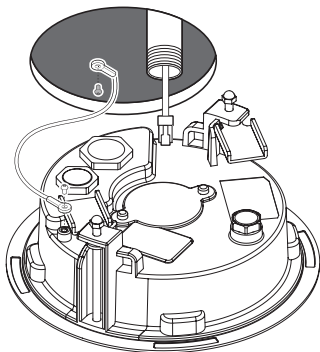
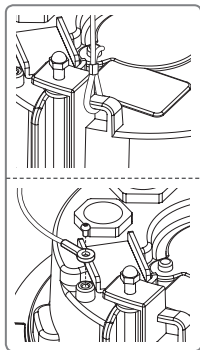
INSTALLATION

5



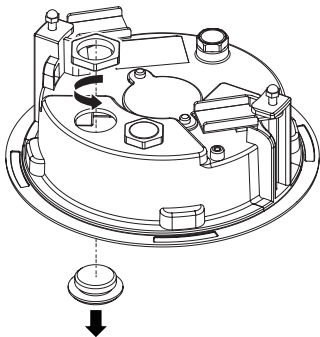
6

• Not Included : Safety Cable

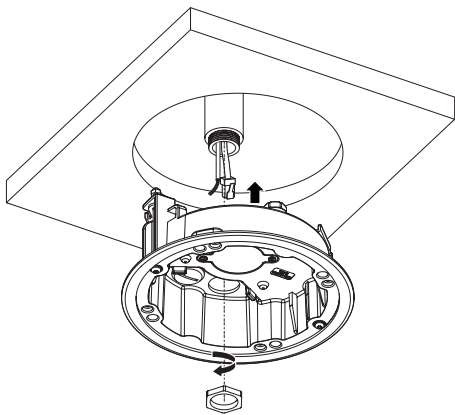


INSTALLATION

7



8

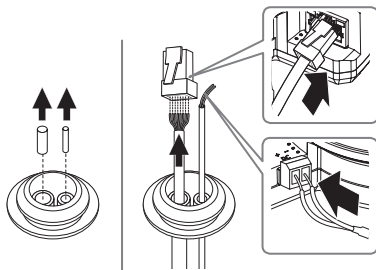


40

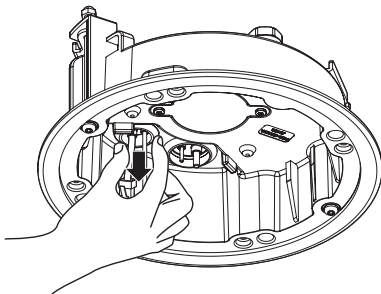
INSTALLATION

9-1

- Installing LAN/power cables

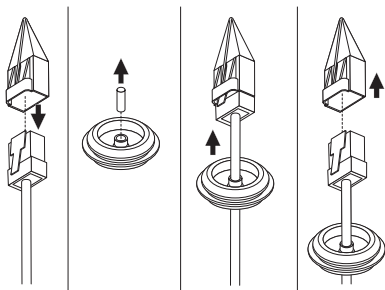


9-2

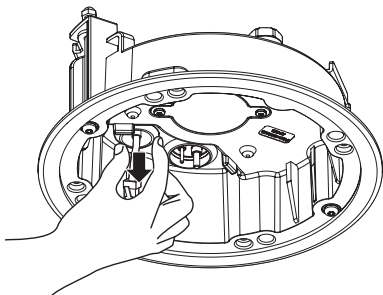


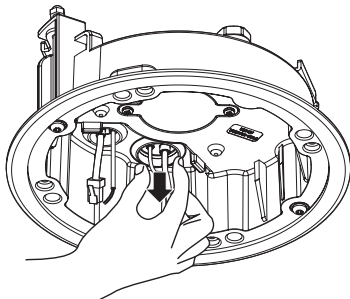
INSTALLATION

10-1



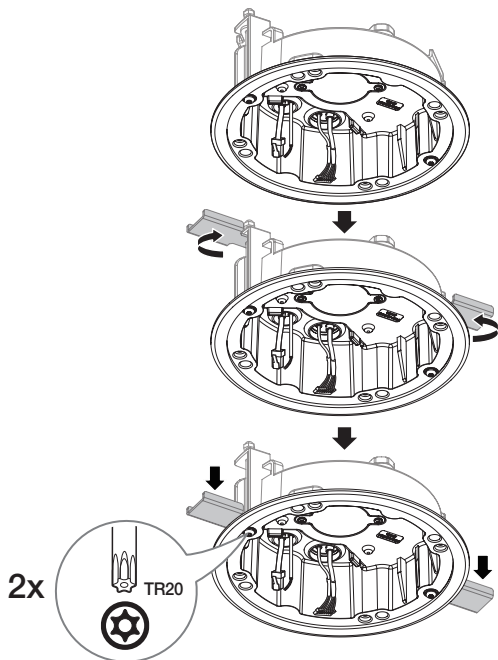
10-2





INSTALLATION

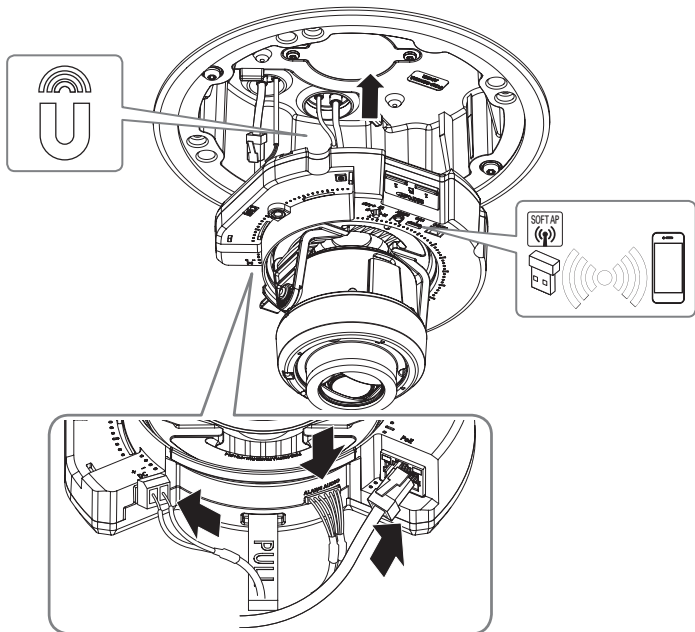
12



INSTALLATION

13

- Not Included : WiFi dongle, OTG adapter

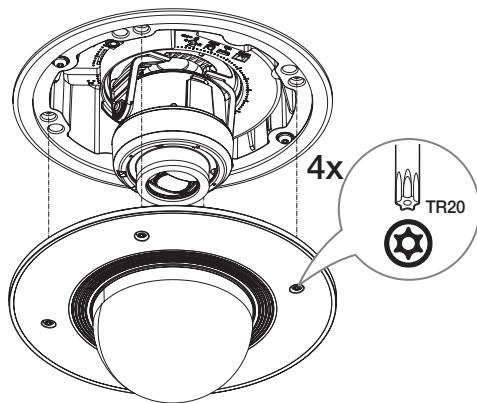


INSTALLATION

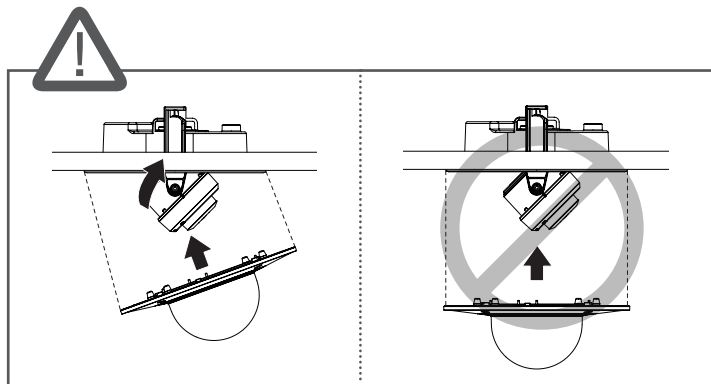
14



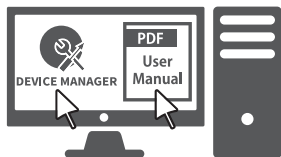
15



INSTALLATION



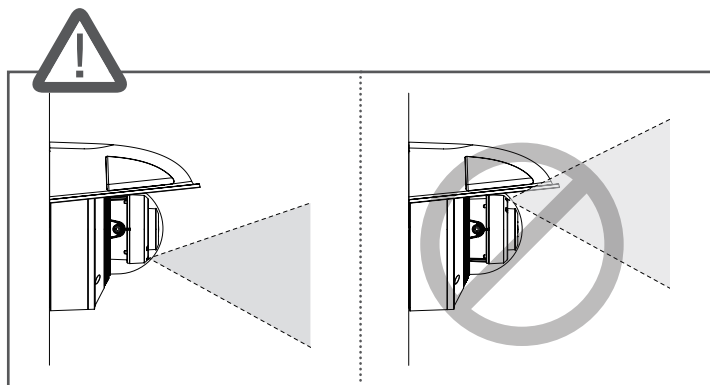
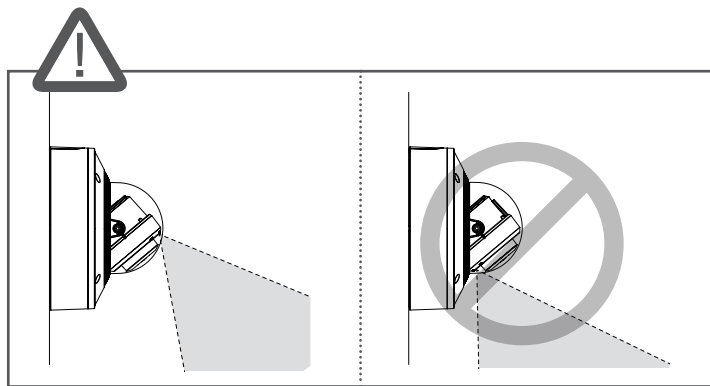
16



+



INSTALLATION



PASSWORD SETTING

When you access the product for the first time, you must register the login password.

Administrator password change

New password

Confirm new password

. If the password is 8 to 9 letters long, then it should be a combination of at least three types upper/lower case alphabets, numbers and special characters.
 . If the password is 10 to 15 letters long, then it should be a combination of at least two types upper/lower case alphabets, numbers and special characters.
 . User name should be different from password.
 . The following special characters are available for use: ~!@#%&*^*_-+=|{}[]?/.
 . Don't use 4 or more characters consecutive together. (examples : 1234, abcd)
 . Don't use 4 or more characters repeated. (examples : IIII, 1111, aaaa)



- For a new password with 8 to 9 digits, you must use at least 3 of the following: uppercase/lowercase letters, numbers and special characters. For a password with 10 to 15 digits, you must use at least 2 types of those mentioned.
 - Special characters that are allowed :
~!@#%&*^*_-+=|{}[]?/
- For higher security, you are not recommended to repeat the same characters or consecutive keyboard inputs for your passwords.
- If you lost your password, you can press the [RESET] button to initialize the product. So, don't lose your password by using a memo pad or memorizing it.

LOGIN

Whenever you access the camera, the login window appears.
Enter the User ID and password to access the camera.

- 1 Enter "admin" in the <User Name> input box.
- 2 Enter the password in the <Password> input field.
- 3 Click [OK].

CONNECTING TO WiFi

Camera setting

- 1 Connect OTG adapter (5-pin) and WiFi dongle to the micro USB terminal.

Smartphone setting

- 1 Install the Wisenet Installation application.
- 2 Select the camera SSID after turning on the WiFi.
- 3 Run the Wisenet Installation application.
- 4 When you log in to the camera, the video will be connected.
 - The video will be played without being logged in during the initial connection.
- 5 You can adjust angle of view while watching the video through smartphone.

RÉGLAGE DU MOT DE PASSE

Lorsque vous accédez au produit pour la première fois, vous devez enregistrer le mot de passe de connexion.

Administrator password change

New password

Confirm new password

.If the password is 8 to 9 letters long, then it should be a combination of at least three types upper/lower case alphabets, numbers and special characters.
 .If the password is 10 to 15 letters long, then it should be a combination of at least two types upper/lower case alphabets, numbers and special characters.
 .User name should be different from password
 .The following special characters are available for use: ~!@#%*^&*_-+=|[]{}?/
 .Don't use 4 or more characters consecutive together. (examples : 1234, abcd)
 .Don't use 4 or more characters repeated. (examples : IIII, 1111, aaaa)



- Pour un nouveau mot de passe de 8 à 9 chiffres, vous devez utiliser au moins trois des éléments suivants : lettres majuscules / minuscules, chiffres et caractères spéciaux. Pour un mot de passe de 10 à 15 chiffres, vous devez utiliser au moins deux des types mentionnés.
 - Les caractères spéciaux qui sont autorisés. :
 ~!@#%*^&*_-+=|[]{}?/
- Pour plus de sécurité, il n'est pas recommandé de répéter les mêmes caractères ou entrées clavier consécutives pour vos mots de passe.
- Si vous avez perdu votre mot de passe, vous pouvez appuyer sur le bouton **[RESET]** pour initialiser le produit. Veuillez donc ne pas perdre votre mot de passe en utilisant un bloc-notes ou bien mémorisez-le.

LOGIN

Lorsque vous accédez à la caméra, la fenêtre de connexion apparaît.

Saisissez l'identifiant utilisateur et le mot de passe pour accéder à la caméra.

- 1 Entrez « **admin** » dans la zone de saisie de texte **<User Name>**.
- 2 Saisissez le mot de passe dans le champ de saisie **<Password>**.
- 3 Cliquez sur **[OK]**.

CONNEXION AU WIFI

Configuration de la caméra

- 1 Connectez l'adaptateur OTG (5 broches) et le dongle WiFi à la borne micro USB.

Configuration du smartphone

- 1 Installez l'application d'installation Wisenet.
- 2 Sélectionnez le SSID de la caméra après avoir allumé le WiFi.
- 3 Exécutez l'application d'installation de Wisenet.
- 4 Lorsque vous vous connectez à la caméra, la vidéo sera connectée.
 - La vidéo sera lue sans être connecté pendant la connexion initiale.
- 5 Vous pouvez ajuster l'angle de vue pendant le visionnement de la vidéo via votre smartphone.

PASSWORTEINSTELLUNG

Beim ersten Zugriff auf das Produkt, müssen Sie das Anmelde-Passwort registrieren.

Administrator password change

New password

Confirm new password

. If the password is 8 to 9 letters long, then it should be a combination of at least three types upper/lower case alphabets, numbers and special characters.
 . If the password is 10 to 15 letters long, then it should be a combination of at least two types upper/lower case alphabets, numbers and special characters.
 . User name should be different from password.
 . The following special characters are available for use. - !@#%&'*^()_+~|{}[]?/.
 . Don't use 4 or more characters consecutive together. (examples : 1234, abcd)
 . Don't use 4 or more characters repeated. (examples : III, 1111, aaaa)



- Für ein neues Passwort mit 8 bis 9 Ziffern müssen Sie mindestens drei der Folgenden verwenden: Groß-/Kleinbuchstaben, Zahlen und Sonderzeichen. Für ein Passwort mit 10 bis 15 Ziffern müssen Sie mindestens zwei dieser Zeichentypen verwenden.
 - Zulässige Sonderzeichen sind. :
~!@#%&'*^()_+~|{}[]?/
- Zur erhöhten Sicherheit wird empfohlen, nicht die gleichen Zeichen oder aufeinanderfolgende Eingaben der Tastatur zu wiederholen.
- Falls Sie Ihr Passwort vergessen haben, können Sie die Schaltfläche **[RESET]** drücken und das Produkt initialisieren. Verwenden Sie ein Memo-Pad oder merken Sie sich Ihr Passwort

ANMELDEN

Immer, wenn Sie auf die Kamera zugreifen, wird das Anmeldefenster angezeigt. Geben Sie den Benutzernamen und das Passwort ein, um auf die Kamera zuzugreifen.

- 1 Geben Sie „**admin**“ in das **<User Name>** Eingabefeld ein.
- 2 Geben Sie das Passwort in dem Eingabefeld **<Password>** ein.
- 3 Klicken Sie auf **[OK]**.

VERBINDUNG MIT WiFi WIRD HERGESTELLT

Kameraeinstellung

- 1 Schließen Sie den OTG-Adapter (5 Stifte) und den WiFi Dongle an den Mikro-USB-Anschluss an.

Smartphone-Einstellung

- 1 Die Wisenet-Installationsanwendung installieren.
- 2 Das Kamera-SSID nach dem Einschalten des WiFi auswählen.
- 3 Die Wisenet-Installationsanwendung starten.
- 4 Beim Einloggen in die Kamera wird das Video verbunden.
 - Das Video wird ohne Einloggen während dem Erstanchluss abgespielt.
- 5 Der Kamerawinkel kann während Sie das Video über das Smartphone betrachten angepasst werden,

CONFIGURAZIONE DELLA PASSWORD

Quando si effettua l'accesso al prodotto per la prima volta, è necessario registrare la password di accesso.

Administrator password change

New password

Confirm new password

.If the password is 8 to 9 letters long, then it should be a combination of at least three types upper/lower case alphabets, numbers and special characters.
 .If the password is 10 to 15 letters long, then it should be a combination of at least two types upper/lower case alphabets, numbers and special characters.
 .User name should be different from password.
 .The following special characters are available for use: ~!@#%*^&()-+=[\]{}?/
 .Don't use 4 or more characters consecutive together. (examples : 1234, abcd)
 .Don't use 4 or more characters repeated. (examples : IIII, 1111, aaaa)



- Per una nuova password da 8 a 9 cifre, è necessario usare almeno 3 dei seguenti elementi: lettere maiuscole/minuscole, numeri e caratteri speciali. Per una password da 10 a 15 cifre, è necessario utilizzare almeno 2 degli elementi precedentemente elencati.
 - Caratteri speciali permessi :
~!@#%*^&()-+=[\]{}?/?
- Per ottenere un maggiore livello di sicurezza, non è raccomandabile usare ripetutamente gli stessi caratteri oppure lettere consecutive nella tastiera.
- Se la password è stata smarrita, è possibile premere il pulsante **[RESET]** per ripristinare il prodotto. Di conseguenza, non è consigliabile usare un promemoria per ricordare la propria password o memorizzarla semplicemente.

ACCESSO

Ogni volta che si accede alla telecamera, appare la finestra di login.

Inserire l'ID utente e la password per accedere alla telecamera.

- 1 Inserire "admin" nella casella <User Name>.
- 2 Immettere la password nel campo di inserimento per la <Password>.
- 3 Fare clic su **[OK]**.

COLLEGAMENTO AL WiFi

Impostazione telecamera

- 1 Connettere l'adattatore OTG e il dongle WiFi al terminal micro USB.

Impostazione smartphone

- 1 Installare l'applicazione Installazione di Wisenet.
- 2 Selezionare la telecamera SSID dopo aver acceso il WiFi.
- 3 Eseguire l'applicazione Installazione di Wisenet.
- 4 Durante il collegamento alla telecamera, verrà connesso il video.
 - Il video sarà riprodotto senza essere collegato durante la connessione iniziale.
- 5 L'angolo della telecamera può essere regolato mentre si guarda il video dallo smartphone.

CONFIGURACIÓN DE CONTRASEÑA

Al acceder al producto por primera vez, debe registrar la contraseña de inicio de sesión.

Administrator password change

New password

Confirm new password

. If the password is 8 to 9 letters long, then it should be a combination of at least three types upper/lower case alphabets, numbers and special characters.
 . If the password is 10 to 15 letters long, then it should be a combination of at least two types upper/lower case alphabets, numbers and special characters.
 . User name should be different from password.
 . The following special characters are available for use. ~!@#%&^*_-+=|{}[]?

 . Don't use 4 or more characters consecutive together. (examples : 1234, abcd)
 . Don't use 4 or more characters repeated. (examples : III, 1111, aaaa)



- Para una nueva contraseña que tenga entre 8 y 9 dígitos, debe utilizar por lo menos 3 mayúsculas/ minúsculas, 3 números y 3 caracteres especiales. Para una contraseña que tenga entre 10 y 15 dígitos, debe utilizar por lo menos 2 de los tipos mencionados.
 - Caracteres especiales que se permiten. : ~!@#%&^*_-+=|{}[]?/
- Para mayor seguridad, no se recomienda repetir los mismos caracteres ni entradas consecutivas de teclado en las contraseñas.
- Si ha perdido su contraseña, puede pulsar el botón **[RESET]** para iniciar el producto. Así pues, no pierda la contraseña utilizando un bloc de notas o memoricela.

INICIO DE SESIÓN

Siempre que acceda a la cámara, aparecerá la ventana de inicio de sesión. Introduzca el ID de usuario y la contraseña para acceder a la cámara.

- 1 Introduzca **"admin"** en el cuadro de entrada **<User Name>**.
- 2 Introduzca la contraseña en el campo de entrada **<Password>**.
- 3 Haga clic en **[OK]**.

CONEXIÓN A WIFI

Ajuste de la cámara

- 1 Conecte el adaptador OTG (5 pines) y el dongle WiFi al terminal micro USB.

Configuración del teléfono inteligente

- 1 Instale la aplicación de instalación de Wisenet.
- 2 Seleccione el SSID de la cámara después de encender el WiFi.
- 3 Ejecute la aplicación de instalación de Wisenet.
- 4 Cuando inicie sesión en la cámara, se conectará el vídeo.
 - El vídeo se reproducirá sin estar conectado durante la conexión inicial.
- 5 Puede ajustar el ángulo de visión mientras ve el vídeo a través del smartphone.

УСТАНОВКА ПАРОЛЯ

Когда доступ к продукту выполняется первый раз, необходимо зарегистрировать пароль входа в систему.

Administrator password change

New password

Confirm new password

If the password is 8 to 9 letters long, then it should be a combination of at least three types upper/lower case alphabets, numbers and special characters.
 If the password is 10 to 15 letters long, then it should be a combination of at least two types upper/lower case alphabets, numbers and special characters.
 User name should be different from password.
 The following special characters are available for use: ~!@#%&^*()_+={}|[]?/
 Don't use 4 or more characters consecutive together. (examples : 1234, abcd)
 Don't use 4 or more characters repeated. (examples : III, 1111, aaaa)



- Для нового пароля от 8 до 9 символов, необходимо использовать не менее 3 символов из числа следующих: строчные/прописные буквы, цифры и специальные символы. Для пароля от 10 до 15 символов необходимо использовать не менее 2 типов указанных символов.
 - Допускаются следующие специальные символы : ~!@#%&^*()_+={}|[]?/
- Для лучшей защиты пароля не рекомендуется повторять одинаковые символы либо символы, последовательно расположенные на клавиатуре.
- При утрате пароля можно нажать кнопку [RESET] для инициализации продукта. Не теряйте пароль, сохраните его в записной книжке или запомните.

ВХОД

При каждом доступе к камере будет появляться окно входа.

Укажите идентификатор пользователя и пароль для доступа к камере.

- 1 Введите "admin" в поле ввода <User name>.
- 2 Введите пароль в поле ввода <Password>.
- 3 Нажмите кнопку [OK].

ПОДКЛЮЧЕНИЕ К WiFi

Настройка камеры

- 1 Подключите переходник OTG (5-контактный) и аппаратный ключ WiFi к соединителю micro USB.

Настройка смартфона

- 1 Установите приложение для установки Wisenet.
- 2 После соединения с WiFi выберите SSID камеры.
- 3 Запустите приложение установки Wisenet.
- 4 После входа в систему камеры будет подключено видео.
 - Во время первоначального подключения видео будет воспроизводиться без входа в систему.
- 5 Угол обзора камеры можно регулировать во время просмотра видео на смартфоне.

ŞİFRE AYARI

Ürüne ilk kez erişim sağladığınızda, oturum açma şifresini yaratmanız gerekir.

Administrator password change

New password

Confirm new password

. If the password is 8 to 9 letters long, then it should be a combination of at least three types upper/lower case alphabets, numbers and special characters.
 . If the password is 10 to 15 letters long, then it should be a combination of at least two types upper/lower case alphabets, numbers and special characters.
 . User name should be different from password.
 . The following special characters are available for use. ~!@#%&^*_+-=|[];:~!
 . Don't use 4 or more characters consecutive together. (examples : 1234, abcd)
 . Don't use 4 or more characters repeated. (examples : !!!!!, 1111, aaaa)



- 8 ile 9 haneli yeni bir şifrede, şunlardan en az üçünü kullanmanız gerekir: büyük/küçük harfler, sayılar ve özel karakterler. 10 ile 15 haneli bir şifrede, yukarıda belirtilen türlerden en az ikisini kullanmanız gerekir.
 - İzin verilen özel karakterler: ~!@#%&^*_+-=|[];:~!
- Daha üst seviyede güvenlik için şifrelerinizde aynı karakterlerin veya ardıışık klavye girişlerinin tekrarlanmaması önerilir.
- Şifrenizi kaybettiyseniz, ürünü sıfırlamak için [RESET] düğmesine basabilirsiniz. Bir deftere not ederek ya da ezberleyerek şifrenizi kaybetmeyin.

OTURUM AÇMA

Kameraya her erişiminiz sırasında oturum açma penceresi görünür.

Kameraya erişmek için Kullanıcı Kimliği'ni ve şifrenizi girin.

- 1 <User Name> giriş kutusuna "admin" yazın.
- 2 Şifreyi <Password> giriş alanına girin.
- 3 [OK] öğesine tıklayın.

WiFi'YE BAĞLANMA

Kamera ayarı

- 1 OTG adaptörünü (5 pimli) ve WiFi dongle'ını mikro USB terminaline bağlayın.

Akıllı telefon ayarı

- 1 Wisenet kurulum uygulamasını yükleyin.
- 2 WiFi'yi açtıktan sonra kamera SSID'sini seçin.
- 3 Wisenet kurulum uygulamasını çalıştırın.
- 4 Kameraya oturum açtığınızda görüntü bağlantısı kurulur.
 - Başlangıç bağlantısı esnasında, görüntüler oturum açılmadan oynatılır.
- 5 Akıllı telefonunuz üzerinden görüntüleri izlerken görüş açısını ayarlayabilirsiniz.

USTAWIENIA HASŁA

Pierwsze użycie produktu wiąże się z koniecznością rejestracji loginu i hasła.

Administrator password change

New password

Confirm new password

.If the password is 8 to 9 letters long, then it should be a combination of at least three types upper/lower case alphabets, numbers and special characters.
 .If the password is 10 to 15 letters long, then it should be a combination of at least two types upper/lower case alphabets, numbers and special characters.
 .User name should be different from password
 .The following special characters are available for use: ~!@#%&^*()_+~|[]/?
 .Don't use 4 or more characters consecutive together. (examples : 1234, abcd)
 .Don't use 4 or more characters repeated. (examples : IIII, 1111, aaaa)

- !
 - Nowe hasło powinno mieć 8 do 9 znaków długości, w tym 3 znaki wielkie/male, cyfry i znaki specjalne. Dla hasła 10 do 15 znaków wystarczy 2 znaki wskazane wyżej.
 - Dozwolone znaki specjalne : ~!@#%&^*()_+~|[]/?
 - Dla poprawy bezpieczeństwa nie zaleca się powtarzania tych samych znaków po kolei ani używania kolejnych znaków klawiatury.
 - Jeżeli hasło zostało utracone, nacisnąć przycisk [RESET] i inicjować produkt. Zatem hasło należy zapamiętać, lub zapisać.

LOGOWANIE

Przy każdej próbie uzyskania dostępu do kamery zostanie wyświetlone okno logowania. Wprowadź ID użytkownika i hasło, aby uzyskać dostęp do kamery.

- 1 Wpisz słowo „admin” w polu <User Name>.
- 2 Wprowadź hasło w polu <Password>.
- 3 Kliknij przycisk [OK].

ŁĄCZENIE Z SIECIĄ WIFI

Ustawienia kamery

- 1 Adapter OTG (5 styków) i klucz WiFi podłącz do gniazda Micro USB.

Ustawienia smartfonu

- 1 Zainstaluj aplikację instalacyjną Wisenet.
- 2 Po włączeniu sieci WiFi wybierz identyfikator SSID kamery.
- 3 Uruchom aplikację instalacyjną Wisenet.
- 4 Po zalogowaniu się do kamery nastąpi połączenie z obrazem wideo.
 - Wideo zostanie odtworzone bez logowania się podczas początkowego nawiązywania połączenia.
- 5 Można ustawiać kąt widzenia, obserwując wideo przez smartfon.

WACHTWOORD INSTELLEN

Wanneer u voor het eerst toegang krijgt tot het apparaat moet u een log-in wachtwoord registreren.

Administrator password change

New password

Confirm new password

. If the password is 8 to 9 letters long, then it should be a combination of at least three types upper/lower case alphabets, numbers and special characters.
 . If the password is 10 to 15 letters long, then it should be a combination of at least two types upper/lower case alphabets, numbers and special characters.
 . User name should be different from password.
 . The following special characters are available for use. -!@#\$%^&*~_+={}|[]?/.
 . Don't use 4 or more characters consecutive together. (examples : 1234, abcd)
 . Don't use 4 or more characters repeated. (examples : IIII, 1111, aaaa)



- Voor een nieuw wachtwoord met 8 tot 9 cijfers, moet u tenminste 3 van de volgende tekens gebruiken: hoofdletters/kleine letters, nummers en speciale tekens. Voor een wachtwoord met 10 tot 15 cijfers, moet u tenminste 2 van de vermelde types gebruiken.
 - Speciale tekens die zijn toegestaan :
~!@#%&^*~_+={}|[]?/
- Voor een hogere beveiliging wordt het afgeraden dezelfde tekens of opeenvolgende invoeringen van het toetsenbord voor uw wachtwoorden te gebruiken.
- Als u uw wachtwoord kwijt bent, kunt u de knop **[RESET]** indrukken om het product te initialiseren. Raak dus uw wachtwoord niet kwijt en schrijf het op of onthoudt het.

AANMELDEN

Elke keer als u de camera opent, verschijnt het aanmeldingsvenster.

Voer uw Gebruikers-ID en wachtwoord in om toegang te krijgen tot de camera.

- 1 Voer 'admin' in het invoervak van de <User Name> in.
- 2 Voer het wachtwoord in in het invoerveld <Password>.
- 3 Klik op [OK].

VERBINDING MAKEN MET WIFI

Camera-instelling

- 1 Sluit OTG-adapter (5 pennen) en WiFi-dongle aan op de micro USB-aansluiting.

Smartphone-instelling

- 1 Installeer de Wisenet-installatie-applicatie.
- 2 Selecteer de camera-SSID na het inschakelen van WiFi.
- 3 Voer de Wisenet-installatie-applicatie uit.
- 4 Wanneer u aanmeldt bij de camera, wordt de video verbonden.
 - De video wordt afgespeeld zonder aangemeld te zijn tijdens de aanvankelijke verbinding.
- 5 U kunt de weergavehoek aanpassen tijdens het bekijken van de video via een smartphone.

LÖSENORDSINSTÄLLNING

När du öppnar produkten för första gången måste du registrera inloggningslösenordet.

Administrator password change

New password

Confirm new password

.If the password is 8 to 9 letters long, then it should be a combination of at least three types upper/lower case alphabets, numbers and special characters.
 .If the password is 10 to 15 letters long, then it should be a combination of at least two types upper/lower case alphabets, numbers and special characters.
 .User name should be different from password
 .The following special characters are available for use: ~!@#%*^&*_-+={}|~?/`~.
 .Don't use 4 or more characters consecutive together. (examples : 1234, abcd)
 .Don't use 4 or more characters repeated. (examples : IIII, 1111, aaaa)



- För ett nytt lösenord med 8 till 9 tecken måste du använda minst 3 av följande alternativ: versaler/gemener, siffror och specialtecken. För ett lösenord med 10 till 15 siffror måste du använda minst 2 typer av ovan nämnda alternativ.
 - Specialtecken som tillåts. : ~!@#%*^*_ - +={}|~?/?
- För ökad säkerhet rekommenderar vi att du inte upprepa samma tecken eller tecken i följd på tangentbordet för dina lösenord.
- Om du tappar bort lösenordet kan du trycka på knappen **[RESET]** för att återställa produkten, så du inte förlorar lösenordet genom att använda en memo pad eller memorera det.

INLOGGNING

När du har tillgång till kameran visas inloggningsfönstret. Ange användar-ID och lösenord för att öppna kameran.

- 1 Ange **"admin"** i inmatningsrutan <User Name>.
- 2 Ange lösenordet i inmatningsfältet <Password>.
- 3 Klicka på **[OK]**.

ANSLUTNING TILL WIFI

Kamerainställningar

- 1 Anslut OTG-adaptorn (5 stift) och WiFi-dongle till micro USB-terminalen.

Smartphone-inställningar

- 1 Installera Wisenet-installationsapplikationen.
- 2 Välj kamerans SSID efter att du startat WiFi.
- 3 Kör Wisenet-installationsapplikationen.
- 4 När du loggar in i kameran ansluts videon.
 - Videon spelas upp utan att du loggar in under den första anslutningen.
- 5 Du kan justera visningsvinkeln när du tittar på video genom din smartphone.

CONFIGURAÇÃO DE SENHA

Quando voce acessar o produto pela primeira vez, voce deve registrar o logon e senha.

Administrator password change

New password

Confirm new password

. If the password is 8 to 9 letters long, then it should be a combination of at least three types upper/lower case alphabets, numbers and special characters.
. If the password is 10 to 15 letters long, then it should be a combination of at least two types upper/lower case alphabets, numbers and special characters.
. User name should be different from password.
. The following special characters are available for use: ~!@#\$%^&*()_-=+[]{}?/
. Don't use 4 or more characters consecutive together. (examples : 1234 abcd)
. Don't use 4 or more characters repeated. (examples : IIII, 1111, aaaa)



- Para uma nova senha com 8 a 9 dígitos, você deve usar pelo menos 3 dos seguintes: letras maiúsculas/minúsculas, números e caracteres especiais. Para uma senha com 10 a 15 dígitos, você deve usar pelo menos 2 tipos dos mencionados.
- Caracteres especiais são permitidos : ~!@#\$%^&*()_-=+[]{}?/
- Para maior segurança, não recomendamos repetir nas suas senhas os mesmos caracteres ou entradas consecutivas no teclado.
- Se perdeu a sua senha, pode pressionar o botão [RESET] para reinicializar o produto. Por isso, não perca sua senha, usando o um bloco notas ou memorizando-a.

LOGIN

Sempre que você acessar a câmera, a janela de logon é exibida.
Insira o ID do usuário e a senha para acessar a câmera.

- 1 Digite "admin" na caixa de entrada <User Name>.
- 2 Digite a senha no campo de entrada <Password>
- 3 Clique em [OK].

CONEXÃO WIFI

Configuração da câmera

- 1 Ligue o adaptador OTG (5-pinos) e o dongle WiFi ao terminal Micro USB.

Configuração e Smartphone

- 1 Instale o aplicativo Wisenet Installation.
- 2 Selecione o SSID da câmera após ligar o WiFi.
- 3 Execute o aplicativo Wisenet Installation.
- 4 Quando você se conecta à câmera, o vídeo será ligado.
 - O vídeo será reproduzido sem estar você estar conectado durante a ligação inicial.
- 5 Você pode ajustar o ângulo de visualização vendo o vídeo através de seu smartphone.

تسجيل الدخول

في أي وقت تصل فيه إلى الكاميرا. تظهر نافذة تسجيل الدخول.
أدخل "معرف المستخدم" وكلمة المرور للوصول إلى الكاميرا.

- 1 أدخل كلمة "admin" في مربع إدخال <User Name>.
- 2 أدخل كلمة المرور في حقل إدخال <Password>.
- 3 انقر فوق [OK].

الاتصال بشبكة WiFi

إعداد الكاميرا

- 1 صل محول OTG (5 سنون) ودوخل WiFi بطرف USB من نوع الميكرو.

إعداد الهاتف الذكي

- 1 قم بتنصيب تطبيق Wisenet Installation.
 - 2 حدد معرف SSID للكاميرا بعد تشغيل شبكة WiFi.
 - 3 قم بتشغيل تطبيق Wisenet Installation.
 - 4 عند تسجيل الدخول إلى الكاميرا. يصبح الفيديو متصلا.
- يجري تشغيل الفيديو دون أن يجري تسجيل الدخول أثناء الاتصال الأولي.
 - 5 يمكن ضبط زاوية الرؤية أثناء مشاهدة الفيديو من خلال الهاتف الذكي.

إعداد كلمة المرور

عند الوصول إلى المنتج للمرة الأولى. يجب أن تسجل كلمة المرور الخاصة بتسجيل الدخول.

Administrator password change

New password

Confirm new password

.If the password is 8 to 9 letters long, then it should be a combination of at least three types: upper/lower case alphabets, numbers and special characters.
.If the password is 10 to 15 letters long, then it should be a combination of at least two types: upper/lower case alphabets, numbers and special characters.
.User name should be different from password.
.The following special characters are available for use: ~!@#%*^+~_~!@#/?
Don't use 4 or more characters consecutive together. (examples : 1234, abc0)
Don't use 4 or more characters repeated. (examples : III, 1111, aaaa)

■ لإعداد كلمة مرور جديدة مكوّنة من 8 إلى 9 أرقام. يجب استخدام 3 على الأقل ما يلي: الأحرف الكبيرة/الأحرف الصغيرة، والأرقام، والأحرف الخاصة. لإعداد كلمة مرور مكوّنة من 10 إلى 15 رقمًا. يجب استخدام نوعين على الأقل من العناصر المذكورة.

- تتضمن الأحرف الخاصة المسموح بها ما يلي:
!~@#%*^+_~!@#/?

■ لمزيد من الأمان. يوصى بعدم تكرار الأحرف نفسها أو إدخال لوحة المفاتيح المتتالية عند إعداد كلمة المرور.

■ عند فقدان كلمة المرور، يمكن الضغط على زر [RESET] لنهضة المنتج. ولذلك لن تفقد كلمة المرور بسبب حفظها باستخدام أوراق الذكريات أو تذكرها بنفسك.

密码设置

首次访问产品时,必须先注册登录密码。

管理员密码更改

新密码

确认新密码

· 如果密码长度为 8 到 9 位, 则它应该至少是三种类型的次等/小写字母、数字和特殊字符的组合。
 · 如果密码长度为 10 到 15 位, 则它应该至少是两种类型的次等/小写字母、数字和特殊字符的组合。
 · 用户名不应与密码相同。
 · 可以使用下列特殊字符: ~!@#\$%^&*()_-=+{}|~?
 · 请勿使用 4 个或以上连续字符 (例如: 1234, abcd)
 · 请勿使用 4 个或以上重复字符 (例如: !!!!, 1111, aaaa)。

- !
 - 对于 8 到 9 位的新密码, 必须至少使用下列 3 种类型: 大写字母/小写字母、数字和特殊字符。对于 10 到 15 位的密码, 必须至少使用上述两种类型。
 - 允许使用的特殊字符为: ~!@#\$%^&*()_-=+{|}~?/
 - 为了获得较高的安全性, 建议您不要重复使用相同的字符作为密码, 也不要使用连续的键盘输入作为密码。
 - 如果您丢失了密码, 可按住[RESET]按钮初始化该产品。因此请使用记事簿写下或记住您的密码以防丢失。

登录

每当访问摄像机时, 登录窗口都会出现。输入用户 ID 和密码以访问摄像机。

- ① 在 <User Name> 输入框中输入“admin”。
- ② 在 <Password> 输入字段中输入密码。
- ③ 单击 [OK]。

正在连接至 WiFi

摄像机设置

- ① 将 OTG 适配器 (5 针) 和 WiFi 接收器连接至 micro USB 终端。

智能手机设置

- ① 安装 Wisenet Installation 应用程序。
- ② 打开 WiFi 后选择摄像机 SSID。
- ③ 运行 Wisenet Installation 应用程序。
- ④ 登入摄像机后即可连接视频。
 - 初始连接期间, 无需登录即可播放视频。
- ⑤ 可通过智能手机观看视频的同时调整视角。

パスワード設定

本製品を初めて使用する場合、ログインパスワードを登録する必要があります。

Administrator password change

New password

Confirm new password

.If the password is 8 to 9 letters long, then it should be a combination of at least three types upper/lower case alphabets, numbers and special characters.
 .If the password is 10 to 15 letters long, then it should be a combination of at least two types upper/lower case alphabets, numbers and special characters.
 .User name should be different from password
 .The following special characters are available for use: ~!@#\$%^&*()-+=|{}?

 .Don't use 4 or more characters consecutive together. (examples : 1234, abcd)
 .Don't use 4 or more characters repeated. (examples : IIII, 1111, aaaa)



- 新しいパスワードが8~9桁の場合、以下のうち3種類以上を使用する必要があります：
大文字/小文字、数字、特殊文字。パスワードが10~15桁の場合、2種類以上を使用する必要があります。
- 認められている特別文字： ~!@#\$%^&*()-+=|{}?
+|=|{}?/?
- 安全性を高めるため、同じ文字を繰り返したり、キーボード上の連続した文字を入力したりするのはお勧めしません。
- パスワードをなくした場合、[RESET]を押して製品を初期化します。そのため、メモ帳を利用したり、記憶したりして、パスワードをなくさないようにしてください。

ログイン

カメラにアクセスするたびに、ログインウィンドウが表示されます。ユーザーIDとパスワードを入力してカメラにアクセスします。

- ① <User Name>入力ボックスに“admin”と入力します。
- ② <Password>入力欄に入力します。
- ③ [OK]をクリックします。

WiFi接続

カメラ設定

- ① OTGアダプタ（5ピン）とWiFi dongleをMicro USB端子に接続します。

スマートフォン設定

- ① Wisenet Installationアプリケーションをインストールします。
- ② WiFiをオンにしてから、カメラのSSIDを選択します。
- ③ Wisenet Installationアプリケーションを起動します。
- ④ カメラにログインすると、ビデオに接続されます。
 - 初期接続中は、ログインなしでビデオが再生されます。
- ⑤ スマートフォンでビデオを視聴しながら、画角を調整することができます。

비밀번호 설정하기

최초 제품 접속 시 반드시 로그인 비밀번호를 등록해야 합니다.

관리자 비밀번호 변경

새 비밀번호

새 비밀번호 확인

· 비밀번호 길이가 8자 이상 9자 이하일 경우 영문자 대문자 및 소문자, 숫자, 특수 문자 중 3가지 이상의 조합이어야 합니다.
· 비밀번호 길이가 10자 이상 15자 이하일 경우 영문자 대문자 및 소문자, 숫자, 특수 문자 중 2가지 이상의 조합이어야 합니다.
· 사용자 이름과 비밀번호가 동일해서는 안 됩니다.
· 허용 가능한 특수 문자는 다음과 같습니다. ~!@#%&*^()_-+=|{}[]?<.>~
· 4자 이상 연속된 문자열은 사용할 수 없습니다. (예 : 1234, abc0)
· 4자 이상 반복되는 문자열은 사용할 수 없습니다. (예 : 1111, 0000)



- 새로운 비밀번호는 8자 이상 9자리 이하는 영어 대/소문자, 숫자 특수 문자 중 3종류 이상을 사용해야 하며, 10자 이상 15자리 이하는 2종류 이상을 사용해야 합니다.
 - 사용 가능한 특수문자 : ~!@#%&*^()_-+=|{}[]?<.>~
- 보안강화를 위하여 동일한 문자 반복 사용이나 연속된 키보드 배열을 비밀번호로 사용하지 않는 것을 권장합니다.
- 비밀번호 분실 시 카메라에 있는 [RESET] 버튼을 눌러 제품 초기화를 해야 하므로 반드시 메모 또는 기억하시길 바랍니다.

로그인하기

카메라에 접속할때마다 로그인 창이 뜹니다. 설정된 사용자 이름과 암호를 입력해야 카메라에 접속할 수 있습니다.

- ① <사용자 이름> 입력란에 "admin"을 입력하세요.
- ② <암호> 입력란에 설정한 암호를 입력하세요.
- ③ [확인] 버튼을 클릭하세요.

WiFi 연결하기

카메라 설정

- ① Micro USB 단자에 OTG 어댑터(5핀)와 WiFi 동글을 연결하세요.

스마트폰 설정

- ① Wisenet Installation 어플리케이션을 설치하세요.
- ② WiFi를 켜 후 카메라의 SSID를 선택하세요.
- ③ Wisenet Installation 어플리케이션을 실행하세요.
- ④ 카메라에 로그인하면 영상이 연결됩니다.
 - 최초 접속 시 로그인 없이 영상이 실행됩니다.
- ⑤ 스마트폰으로 영상을 보며 카메라의 화각을 조정 할 수 있습니다



Harwha Techwin cares for the environment at all product manufacturing stages, and is taking measures to provide customers with more environmentally friendly products.

The Eco mark represents Harwha Techwin's devotion to creating environmentally friendly products, and indicates that the product satisfies the EU RoHS Directive.



Correct Disposal of This Product (Waste Electrical & Electronic Equipment)

(Applicable in the European Union and other European countries with separate collection systems)

This marking on the product, accessories or literature indicates that the product and its electronic accessories (e.g. charger, headset, USB cable) should not be disposed of with other household waste at the end of their working life. To prevent possible harm to the environment or human health from uncontrolled waste disposal, please separate these items from other types of waste and recycle them responsibly to promote the sustainable reuse of material resources.

Household users should contact either the retailer where they purchased this product, or their local government office, for details of where and how they can take these items for environmentally safe recycling.

Business users should contact their supplier and check the terms and conditions of the purchase contract. This product and its electronic accessories should not be mixed with other commercial wastes for disposal.



Correct disposal of batteries in this product

(Applicable in the European Union and other European countries with separate battery return systems.)

This marking on the battery, manual or packaging indicates that the batteries in this product should not be disposed of with other household waste at the end of their working life. Where marked, the chemical symbols Hg, Cd or Pb indicate that the battery contains mercury, cadmium or lead above the reference levels in EC Directive 2006/66. If batteries are not properly disposed of, these substances can cause harm to human health or the environment.

To protect natural resources and to promote material reuse, please separate batteries from other types of waste and recycle them through your local, free battery return system.

韩华泰科(天津)有限公司

Hanwha Technol(Tianjin) Co.Ltd

天津市西青区津港公路微电子工业区微六路11号

No.11, wei 6 Road, Micro-Electronics Industrial Park, Xiqing District,Tianjin, 300385, China

联系电话(免费客服热线) : 800.818.1212 / 400.690.6677

www.hanwha-security.cn



Подлежит использованию по назначению
в нормальных условиях
Срок службы : 7 лет.

Türkiye Distribütörü

EDS Elektronik Destek Sanayi ve Ticaret Ltd. Şti.

Meclis Mah. Teraziler Cad. Hayran Sk. (Eskisi Kılıç Sk.) No: 4 Sancaktepe / İstanbul / Türkiye

Tel +90.216.313.25.15 Faks +90.216.528.45.98

Koyuncu Elektronik Bilgi İşlem Sistemleri San. ve Dış. Tic. A.Ş.

Emek Mah. Ordu Cad. No:18 Sancaktepe / İstanbul / Türkiye

Tel +90.216.528.88.88 Faks +90.216.313.18.18

NFS Teknoloji ve Otomasyon Sistemleri San. Ve Tic. Ltd. Sti.

Cumhuriyet Mah Şair M.Akif Ersoy Sk. No:36 Üsküdar / İstanbul / Türkiye

Tel +90.216.505.82.28 Faks +90.216.505.82.29

Sensonet Teknoloji Elekt. ve Biliş. Hiz. San. ve Tic. Ltd. Şti.

Ramazanoğlu Mah. Transtek Cad. No: 2 Pendik / İstanbul / Türkiye

Tel +90.216.999.49.49 Faks +90.212.381.61.02

ENTES ELEKTRONİK CİHAZLAR İMALAT VE TİC. A.Ş.

Dudullu Org.San.Bölg. 1. Cad. No:23 34776 Ümraniye - İstanbul / Türkiye

Tel +90.216.313.01.10 Faks +90.216.314.16.15

Cihazın Ticaret Bakanlığınca önerilen ortalama ömrü

Cihazın EEE yönetmeliklerine uygun olduğuna benzer beyan

한화테크윈(주)

경기도 성남시 분당구 판교로 319번길 6 (삼평동 701)

영 업 TEL 070-7147-8771~9 A/S 및 기술문의 1588-5772

부산영업소 TEL 051-796-3216

대구영업소 TEL 053-742-3098

광주영업소 TEL 062-941-9559

대전영업소 TEL 042-489-9840

<http://www.hanwha-security.com>

Head Office

6, Pangyo-ro 319 beon-gil, Bundang-gu, Seongnam-si,
Gyeonggi-do, 463-400 Rep. of KOREA

Tel : +82.70.7147.8753 Fax : +82.31.8018.3740

<http://hanwha-security.com>

Hanwha Techwin America

500 Frank W. Burr Blvd. Suite 43 Teaneck, NJ 07666

Toll Free : +1.877.213.1222 Direct : +1.201.325.6920

Fax : +1.201.373.0124

www.hanwhasecurity.com

Hanwha Techwin Europe

Heriot House, Heriot Road, Chertsey, Surrey, KT16 9DT, United Kingdom

Tel : +44.1932.57.8100 Fax : +44.1932.57.8101

www.hanwha-security.eu

Hanwha Techwin(Tianjin) Co.Ltd

No.11, Weiliu Rd., Micro-Electronic Industrial Park, Jingang Road Tianjin 300385, China

Tel : +86.22.2388.7788

www.hanwha-security.cn

Hanwha Techwin Middle East FZE

JAFZA View 18, 20th floor, office 2001, 2002, 2003, Downtown Jebel Ali,

Dubai, United Arab Emirates

<http://hanwha-security.com>

