

VB-H761LVE (H2) & VB-H760VE (H2)

Bullet cameras with infrared LEDs, ideal for long range monitoring around the clock.

Features a 1/3" Full HD CMOS sensor, fast auto focusing 20x zoom lens, 60m infrared range, multiple built-in analytics, and Hydrophilic Coating II.



- Powerful 20x optical zoom and fast, accurate auto focusing
- Fully featured bullet cameras for outstanding images any time of day or night
- Built for all weather conditions and extreme temperatures down to -50°C*
- Hydrophilic Coating II prevents the decrease of visibility during and after rainfall, and resists fouling by sand or dirt.
- Clear IR Mode* and built-in infrared LEDs for detailed black and white images
- Motion Adaptive Noise Reduction and Area-Specific Data Size Reduction (ADSR) help reduce data size while optimising image quality
- Built-in analytics functions for intelligent and efficient alarm detection
- ONVIF® Profile S and Profile G compliant

Product Range

VB-H761LVE (H2)
VB-H760VE (H2)
VB-H751LE (H2)
VB-M741LE (H2)
VB-M740E (H2)



* Clear IR Mode, PoE+ AC/DC, IR LEDs & -50°C - VB-M761LVE (H2) only

Technical Specifications VB-H761LVE (H2) & VB-H760VE (H2)

	VB-H761LVE (H2)	VB-H760VE (H2)
CAMERA		
Image Sensor	1/3 type CMOS (primary color filter)	
Number of Effective Pixels	Approx. 2.1 million pixels	
Scanning Method	Progressive	
Lens	20x optical zoom (20x digital zoom) lens with auto focus	
Focal Length	4.7 (W) - 94 mm (T)	
F-number	F1.6 (W) - F3.5 (T)	
Viewing Angle	For 16:9 aspect ratios: Horizontal: 60.4° (W) - 3.2° (T) Vertical: 35.1° (W) - 1.8° (T) For 4:3 aspect ratios: Horizontal: 46.3° (W) - 2.4° (T) Vertical: 35.1° (W) - 1.8° (T)	
Day/Night Switch	Auto / Day Mode / Night Mode	
Min. Subject Illumination	Day Mode (colour): 0.06 lux (F1.6, shutter speed 1/30 sec., SSC off, 50IRE) Night Mode (monochrome): 0 lux / 0.04 lux (F1.6, shutter speed 1/30 sec., SSC off, 50IRE with IR light on / off)	Day Mode (colour): 0.06 lux (F1.6, shutter speed 1/30 sec., SSC off, 50IRE) Night Mode (monochrome): 0.003 lux (F1.6, shutter speed 1/30 sec., SSC off, 50IRE)
Focus	Auto / One-shot AF / Manual / Fixed at infinity	
Shooting Distance (from front of lens)	Day Mode: 0.3 m (12 in.) - infinity (W), 1.0 m (3.3 ft.) - infinity (T) Night Mode: 1.0 m (3.3 ft.) - infinity (W), 1.5 m (4.9 ft.) - infinity (T)	
Shutter Speed	1, 1/2, 1/4, 1/8, 1/15, 1/30, 1/50, 1/60, 1/100, 1/120, 1/250, 1/500, 1/1000, 1/2000, 1/4000, 1/8000, 1/10000, 1/16000 sec.	
Exposure	Auto / Auto (Flickerless) / Auto (Shutter-priority AE) / Auto (Aperture-priority AE) / Manual (Shutter Speed, Aperture, Gain)	
White Balance	Auto / Light Source / Manual Light Source: Daylight Fluorescent / White Fluorescent / Warm Fluorescent / Mercury Lamp / Sodium Lamp / Halogen Lamp Manual: One-shot WB / R Gain / B Gain	
Metering Mode	Center-Weighted / Average / Spot	
Exposure Compensation	9 levels	
Smart Shade Control	Auto / Manual / Disable Auto: 3 levels Manual: 7 levels - Brightens shaded areas of a video	
Haze Compensation	Auto / Manual / Disable Auto: 3 levels Manual: 7 levels	
AGC Limit	6 levels	
Image Stabilizer	2 levels (digital)	
Motion-Adaptive NR (Noise Reduction)	Available	
Clear IR Mode	Available	
IR Illumination Range	60 m (196.9 ft.) (When using 24 V AC, PoE+)	
Pan Angle Range	348° (±174°)	
Tilt Angle Range	90° - Camera is at 0° when attached to the ceiling and facing straight down, and 90° when at a horizontal position	
Rotation Angle Range	360° (±180°)	
SERVER		
Video Compression Method	JPEG, H.264	
Video Size	JPEG, H.264: 1920 x 1080, 960 x 540, 480 x 270 1280 x 720, 640 x 360, 320 x 180 1280 x 960, 640 x 480, 320 x 240	
Video Quality	JPEG, H.264: 10 levels	
Frame Rate	JPEG: 0.1 - 30 fps H.264: 1/2/3/5/6/10/15/30 fps - Values represent streaming performance from the camera. - The frame rate may be reduced due to Viewer computer's specs, the number of clients accessing at the same time, network loads, video quality setting, type or movement of the subject or other reasons. Maximum frame rate when used in the following combinations: When streaming H.264(1) (1920 x 1080) and H.264(2) (all sizes) simultaneously: 15 fps When streaming H.264(1) (all sizes) and H.264(2) (1920 x 1080) simultaneously: 15 fps When streaming H.264(1) (1280 x 960) and H.264(2) (1280 x 960) simultaneously: 15 fps When streaming H.264(1) (1280 x 720) and H.264(2) (1280 x 720) simultaneously: 15 fps	
I-Frame Interval	0.5/1/1.5/2/3/4/5 sec.	
Simultaneous Client Access	Max. 30 Clients + 1 Admin Client - H.264: Max. 10 Clients	
Bit Rate Control	Target Bit Rate: 64/128/256/384/512/768/1024/1536/2048/3072/4096/6144/8192/10240/12288/14336/16384 kbps	
ADSR: Area-specific Data Size Reduction	Number of Specified Areas: Max. 8 areas Data Size Reduction Level: 3 levels	
Security	Camera Control: Administrator, Authorized user, Guest user (level of control varies depending on user) Access Control: User authority (user name and password), Host Access Restrictions (IPv4, IPv6) IEEE802.1X: EAP-MD5, EAP-TLS, EAP-TLS, EAP-PEAP Encrypted Communications: SSL/TLS, IPsec	
Protocol	IPv4, IPv6, TCP/IP, UDP, HTTP, FTP, SNMPv1/v2c/v3 (MIB2), DHCP, DNS, AutoIP, mDNS, ARP, ICMP, POP3, NTP, SMTP, RTP/RTCP, RTSP, SSL/TLS, IPsec, ONVIF, WV-HTTP (Canon proprietary)	
Audio Compression Method	G.711 μ-law (64 kbps)	
Audio Communication Method	Full-duplex (two-way)/half-duplex - Echo cancellation function compliant RTP, Sound Transfer Protocol by Canon	

	VB-H761LVE (H2)	VB-H760VE (H2)
Audio File Playback	Available (audio files can be played back when an event is triggered by the intelligent function or external device input) - A third-party amplifier speaker is necessary	-
Privacy Mask	Number of registration: Max. 8 places, Number of mask colors: 1 (select from 9 colors)	
View Restriction	Available	
Preset	Number of registers: Max. 20 positions (+Home Position) Number of Preset Tour Route: Max. 5	
Intelligent Function (Video)	Moving Object Detection, Abandoned Object Detection, Removed Object Detection, Camera Tampering Detection, Passing Detection, and Intrusion Detection Detection Settings: Max. 15 Non-detection Area Settings: Available	
Intelligent Function (Audio)	Volume Detection, Scream Detection	
Event Trigger Type	External Device Input, Intelligent Function (Video), Intelligent Function (Audio), Timer, Day/Night Switch Number of Linked Events: 2 Linked Event Conditions: OR, AND (whether or not there is a sequence to events)	Intelligent Function (Video), Timer, Day/Night Switch
Image Upload	FTP/HTTP/SMTP (e-mail)	
Event Notification	HTTP/SMTP (e-mail)	
Log Notification	SMTP (e-mail)	
Image Cropping Function	Digital PTZ Cropping sizes: 640 x 360 / 512 x 288 / 384 x 216 / 256 x 144 / 128 x 72 640 x 480 / 512 x 384 / 384 x 288 / 256 x 192 / 128 x 96	
Enhanced Digital Zoom	Available	
Maximum Digital Zoom Magnification Selection	5x/10x/15x/20x	
On-Screen Display	Available German/English/Spanish/French/Italian/Polish/Russian/Turkish/Korean/Chinese (Simplified) /Japanese	
Daylight Saving Time	Available	
INTERFACE		
Network Terminal	LAN x1 (RJ45, 100Base-TX (auto / full-duplex / half-duplex))	
Audio Input Terminal (common for LINE IN & MIC IN)	Φ3.5 mm (Φ0.14 in.) mini-jack connector (monaural) LINE IN (connect to an amplifier microphone) or MIC IN (connect to a microphone w/o amplifier) - Switch LINE IN/MIC IN in the Setting Page.	-
Audio Output Terminal (LINE OUT)	Φ3.5 mm (Φ0.14 in.) mini-jack connector (monaural) LINE OUT (connect to an amplifier speaker)	-
External Device I/O Terminal	Input x 2, Output x 2	
Memory Card	SD Memory Card, SDHC Memory Card, SDXC Memory Card Compatible. Recorded Content: Log, Video (Event, Manual, ONVIF, Timer, Upload) Frame Rate: Max. 1 fps (JPEG) Max. 30 fps (H.264) - To insure reliability in the recording speed, it is recommended to use CLASS 10 rated products. Even when using CLASS 10 products, reliability cannot be guaranteed during heavy access loads (e.g., when recording and deleting data at the same time).	
OTHER		
Operating Environment	Temperature Operating Temperature Range (including direct sun exposure) AC, PoE+: -50°C - +55°C (-58°F - +131°F) DC, PoE: -10°C - +55°C (+14°F - +131°F) Start-up Temperature Range (including direct sun exposure) AC, PoE+: -30°C - +55°C (-22°F - +131°F) DC, PoE: -10°C - +55°C (+14°F - +131°F) Humidity 5% - 85% (without condensation)	Temperature Operating Temperature Range (including direct sun exposure) PoE: -10°C - +55°C (+14°F - +131°F) Start-up Temperature Range (including direct sun exposure) PoE: -10°C - +55°C (+14°F - +131°F) Humidity 5% - 85% (without condensation)
Installation Method	Ceiling mount / Surface mount	
Power Supply	PoE: PoE power supply via LAN connector (IEEE802.3at Type1/Type2 compliant) AC Adapter: PA-V18 (100 - 240 V AC) (sold separately) External power source: 24 V AC/12 V DC	PoE: PoE power supply via LAN connector (IEEE802.3at Type1 compliant)
Power Consumption	PoE+: Max. approx. 19.6 W*1 PoE: Max. approx. 10.4 W*2 AC Adapter PA-V18: Max. approx. 12.7 W (100 V AC) Max. approx. 12.9 W (240 V AC) DC: Max. approx. 11.0 W AC: Max. approx. 20.0 W *1 Class 4 power sourcing equipment (requests 30.0 W) *2 Class 0 power sourcing equipment (requests 15.4 W)	PoE: PoE power supply via LAN connector (IEEE802.3at Type1 compliant)
Dimensions	“(H x W x D) 111 mm x 102 mm x 252 mm (4.37 in. x 4.02 in. x 9.92 in.) (camera body only) - Length when joint fully extended (D): 455 mm (17.91 in.)”	
Weight	Approx. 3420 g (7.54 lb.)	
Weather Shield	Approx. 90 g (3.2 oz.)	
Impact Resistance	IK09 (10J)	
Dust-resistant/Waterproof Specification	IP66	
Hydrophilic Coating II	Available	

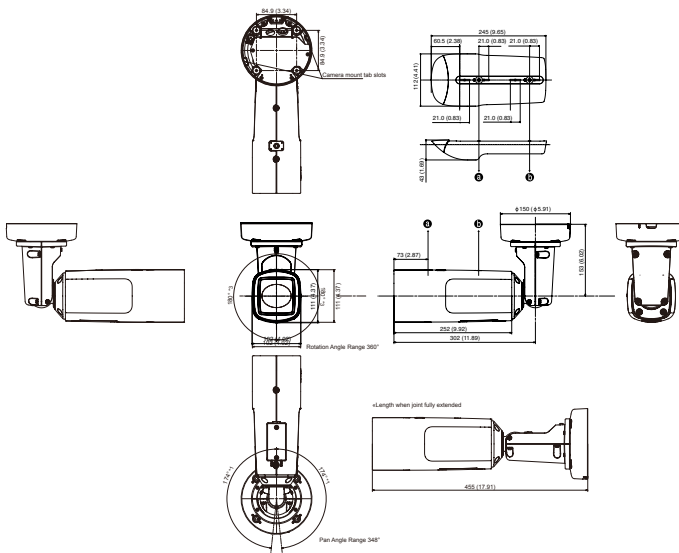
Technical Specifications **VB-H761LVE (H2) & VB-H760VE (H2)**

International Standard	EN55032 Class A, FCC part15 subpart B Class A, ICES-003 Class A, VCCI Class A, RCM AS/NZS EN55032 Class A, CNS13438 Class A, KN32 Class A, EN55024, KN35, EN50581, CNS15663, EN62471 IEC/UL/EN 60950-1, IEC/UL/EN 60950-22, EN50130-4, EN61000-6-1, EN61000-6-2, IEC/UL/EN 60529 IP66, IEC/UL/EN 62262 IK09, NEMA 250 Type 4X, EN50121-4	EN55032 Class A, FCC part15 subpart B Class A, ICES-003 Class A, VCCI Class A, RCM AS/NZS EN55032 Class A, EN55024, EN50581 IEC/UL/EN 60950-1, IEC/UL/EN 60950-22, EN50130-4, EN61000-6-1, EN61000-6-2, IEC/UL/EN60529 IP66, IEC/UL/EN62262 IK09, NEMA 250 Type 4X, EN50121-4
APPLICATION	VB-H761LVE (H2)	VB-H760VE (H2)
Viewer	Camera Viewer - Supports Video Display Rotation Mobile Camera Viewer	
Camera software	Camera Management Tool Recorded Video Utility	
Language	German/English/Spanish/French/Italian/Polish/Russian/Turkish/Thai/Korean/ Chinese (Simplified) /Japanese	
Operating System/ Compatible Browser	Windows 7, Internet Explorer 11/Chrome 65 Windows 8.1, Internet Explorer 11/Chrome 65 Windows 10, Internet Explorer 11/Microsoft Edge/Chrome 65 Windows Server 2008, Internet Explorer 9 Windows Server 2008 R2, Internet Explorer 11/Chrome 65 Windows Server 2012, Internet Explorer 10/Chrome 65 Windows Server 2012 R2, Internet Explorer 11/Chrome 65 Windows Server 2016, Internet Explorer 11/Chrome 65	
Verified Mobile Devices	Surface, iPad, iPhone, Nexus, Galaxy	

What's in the box?

- VB-H761LVE (H2) Main Unit / VB-H760VE (H2) Main Unit
- Weather Shield
- Before Using this Camera
- EAC-Supported Guide
- Safety Wire
- Safety Wire Fixing Screw
- Ceiling Plate
- Wrench
- Template
- Waterproof Rubber Seal for LAN Cable
- Multi Cable with Waterproof Rubber Seal (IO/Audio/Power) (VB-H761LVE (H2))
- Waterproofing Tape (VB-H761LVE (H2))
- LAN Cable Cap
- Zip Tie
- Packing Attachment
- GND Screw (VB-H761LVE (H2))
- Installation Guide
- Safety Precautions
- Warranty Card

Dimensions



All dimension are in mm (in.)

Compatible Accessories



CB740-VB
Conduit Box



PC640-VB
Pendant Mounting Kit



PA-V18
AC Power Supply
*Available in Euro 2-Pin
& UK 3-Pin plug

VB-H761LVE (H2) & VB-H760VE (H2)

All-weather bullet cameras with infrared LEDs, ideal for long range monitoring around the clock.

Features a 1/3" Full HD CMOS sensor, fast auto focusing 20x zoom lens, 60m infrared range, multiple built-in analytics and Hydrophilic Coating II.



Sales Start Date: October 2019

Product Details:

Product Name	Mercury Code	EAN Code
Network Camera VB-H761LVE (H2)	3749C001AA	4549292149111
Network Camera VB-H760VE (H2)	3750C001AA	4549292149128

Optional Accessories:

Product Name	Mercury Code	EAN Code
Pendant Mounting Kit PC640-VB	0719C001AA	4549292043532
Conduit Box CB740-VB	0712C001AA	4549292043464
AC Adapter PA-V18 (E)	8362B002AA	4960999986791
AC Adapter PA-V18 (GB)	8362B003AA	4960999986319

Measurement / Logistic Information:

Product Name	Mercury code	Pack type	Pack description	Quantity per pack	Length (mm)	Width (mm)	Height (mm)	Net Weight (kg)	Gross Weight (kg)
Network Camera VB-H761LVE (H2)	3749C001AA	EA	Each	1	540	200	300	3.4	4.9
		CT	Carton	2	550	410	300	6.8	11
		EP	Euro Pallet	—	—	—	—	—	—
Network Camera VB-H760VE (H2)	3750C001AA	EA	Each	1	540	200	300	3.4	4.7
		CT	Carton	2	410	550	300	6.7	10.7
		EP	Euro Pallet	—	—	—	—	—	—